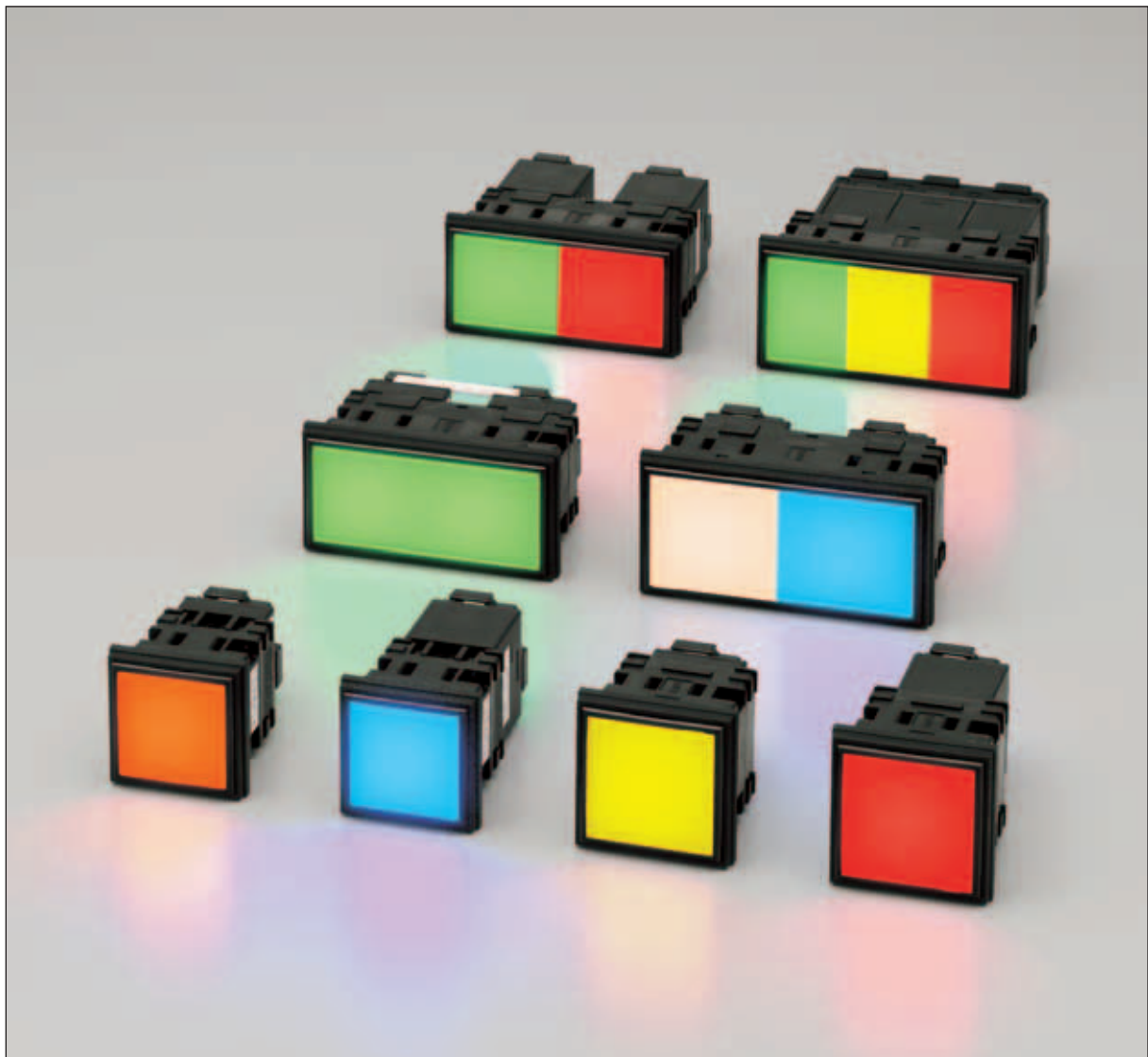


Think Automation and beyond...



SLDN Series

LED Illuminated Display Lights



IDEC CORPORATION

SLDN Series Display Lights

Super Bright LED Illumination Increased Visibility for Higher Safety

- The LED units can be removed, so the color arrangements can be easily changed.
- The finger-safe spring-up terminals save wiring time.
- Six illumination colors; amber, green, red, blue, white, and yellow.
- Full, 2-way or 3-way split illumination, and two-color (red/green) alternate illumination are available.
- Legends can be engraved on the supplied marking plate. One or two thin marking sheets (not supplied) can also be installed.
- UL and c-UL listed File No. E68961
- EN compliant EN60947-5-1
- DEMKO Certificate No. 99-03194



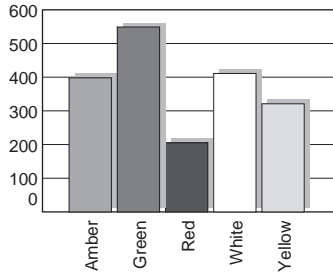
(Except for DC-DC converter type)



Enhanced Safety

The brightness of the super LED units results in vibrant colors and prevents recognition errors.
(IEC 60073 and IEC 60204-1)

Brightness (Previous SLD = 100)



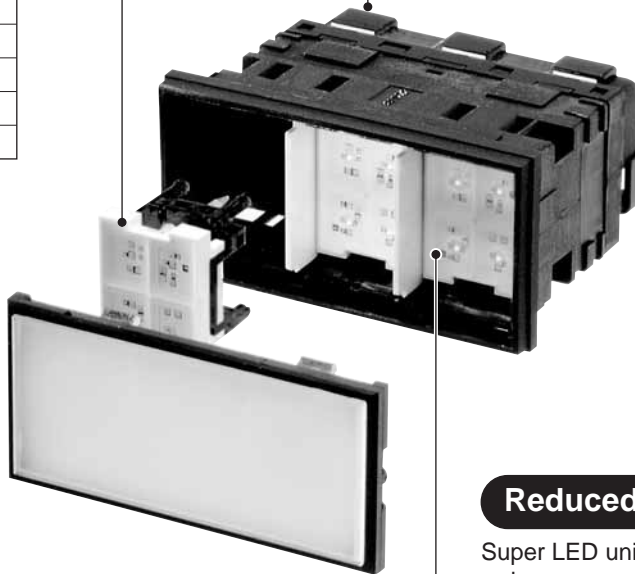
Special circuitry is used to prevent unintended lighting due to leakage current or induced voltage.
(See page 26 for details.)

Easy Replacement of LED Units

Two or three LED units are installed in the split-illumination types. Since the LED units are removable, the color arrangement can be changed easily.

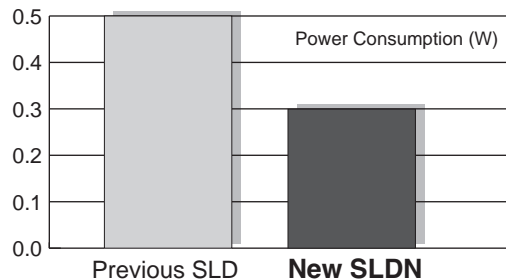
Reduced Wiring Time

The captive spring-up terminals cut wiring time in half compared with conventional units. The integrated terminal cover prevents electrical shocks. For 2-color alternate and check terminal type units, separate terminal covers are available.







Reduced Power Consumption

Super LED units ensure high brightness and reduce power consumption by 40%.



SLDN List

Type	Appearance	Frame Size (Lens Size)	Input Voltage	Illumination Face	Operating Voltage	Illumination Color
SLD30N		DIN Size 36 x 36 mm (28 x 28 mm)	Full Voltage	1-color Full	6V DC ±5% 12V AC/DC ±10% 24V AC/DC ±10%	Amber, Green, Red, Blue, White, Yellow
				1-color Full w/check terminal	24V DC ±10%	
				2-color Alternate	24V DC ±10%	Red/Green
			Transformer	1-color Full	100/110V AC±10% 115/120V AC±10% 200/220V AC±10% 230/240V AC±10%	Amber, Green, Red, Blue, White, Yellow
DC-DC Converter	1-color Full	110V DC (90 to 140V DC)				
SLD44N		40 x 40 mm (32 x 32 mm)	Full Voltage	1-color Full	6V DC ±5% 12V AC/DC ±10% 24V AC/DC ±10%	Amber, Green, Red, Blue, White, Yellow
				1-color Full w/check terminal	24V DC ±10%	
				2-color Alternate	24V DC ±10%	Red/Green
			Transformer	1-color Full	100/110V AC±10% 115/120V AC±10% 200/220V AC±10% 230/240V AC±10%	Amber, Green, Red, Blue, White, Yellow
DC-DC Converter	1-color Full	110V DC (90 to 140V DC)				
SLD72N		DIN Size 36 x 72 mm (28 x 64 mm)	Full Voltage	1-color Full	6V DC ±5% 12V AC/DC ±10% 24V AC/DC ±10%	Amber, Green, Red, Blue, White, Yellow
				2-way Split		
				3-way Split		
				1-color Full w/check terminal	24V DC ±10%	
				2-color Alternate	24V DC ±10%	Red/Green
			Transformer	1-color Full	100/110V AC±10% 115/120V AC±10% 200/220V AC±10% 230/240V AC±10%	Amber, Green, Red, Blue, White, Yellow
2-way Split						
3-way Split						
DC-DC Converter	1-color Full	110V DC (90 to 140V DC)				
SLD48N		40 x 80 mm (32 x 72 mm)	Full Voltage	1-color Full	6V DC ±5% 12V AC/DC ±10% 24V AC/DC ±10%	Amber, Green, Red, Blue, White, Yellow
				2-way Split		
				3-way Split		
				1-color Full w/check terminal	24V DC ±10%	
				2-color Alternate	24V DC ±10%	Red/Green
			Transformer	1-color Full	100/110V AC±10% 115/120V AC±10% 200/220V AC±10% 230/240V AC±10%	Amber, Green, Red, Blue, White, Yellow
			2-way Split			
3-way Split						
DC-DC Converter	1-color Full	110V DC (90 to 140V DC)				

SLDN Series Display Lights

SLDN Type No. Development

SLD **72** N - **1** **DH2** **B** **R**

Frame Size

30: 36 × 36 mm
44: 40 × 40 mm
72: 36 × 72 mm
48: 40 × 80 mm

Face Division

1: Full
2: 2-way split
3: 3-way split

Illumination Color

A: Amber
G: Green
R: Red
S: Blue (except 6 and 12V AC/DC)
W: White
Y: Yellow

Housing Color

B: Black

Power Voltage

[Full Voltage Type]

DH0: 6V or 12V AC/DC (LED unit not supplied)
DH2: 24V AC/DC
DHM2: 24V DC (with check terminal)
DW2: 24V DC (2-color alternate)

[Transformer Type]

TH1: 100/110V AC
TH12: 115/120V AC
TH2: 200/220V AC
TH24: 230/240V AC

[DC-DC Converter Type]

CH1: 110V DC

SLD30N	DIN36mm Square (Illumination face size 28mm square)
---------------	--

Specifications



Input Type	Full Voltage	Transformer	DC-DC Converter
Rated Voltage (Primary Voltage)	24V AC/DC, 24V DC *1 6V AC/DC, 12V AC/DC	100/110, 115/120, 200/220, 230/240V AC	110V DC
Light Source	1-color LED unit 2-color LED unit *2	1-color LED unit	
Face Division	Full		
Illumination Color	Amber, Green, Red, Blue, White, Yellow Red/Green *2	Amber, Green, Red, Blue, White, Yellow	
Marking Plate	Clear (27 × 27 × 1 mm)		
Color Screen	White (27 × 27 × 1 mm)		
Engraving Area	25 × 25 mm		
Insulation Resistance	Between live and dead parts: 100 MΩ minimum (500V DC megger)		
Dielectric Strength	Between live and dead parts: 2000V, 1 minute	2500V, 1 minute	
Vibration Resistance	5 to 55 Hz, amplitude 0.5 mm		
Shock Resistance	1000 m/s ² (100G)		
Operating Temperature	-20 to +40°C (no freezing)	-10 to +40°C (no freezing)	
Operating Humidity	45 to 85% RH (no condensation)		
Housing Color	Black		
Weight (approx.)	38g (1-color full) 43g (w/check terminal) 43g (2-color alternate)	85g (1-color full)	53g (1-color full)

*1: 24V DC is for 1-color full w/check terminal and 2-color alternate types only.

*2: For 2-color alternate type

Types

Input Type	Illumination Face	Operating Voltage	Type No.	Illumination Color Code	Built-in LED Unit (see ratings on page 17)
Full Voltage	1-color Full	24V AC/DC ±10%	SLD30N-1DH2B*	A, G, R, S, W, Y	SLDN-32F-*T
	1-color Full w/check terminal	24V DC ±10%	SLD30N-1DHM2B*	A, G, R, S, W, Y	SLDN-32F-*T
	2-color Alternate	24V DC ±10%	SLD30N-1DW2BRG	RG (red/green)	SLDN-32FW-RGT
Transformer	1-color Full	100/110V AC ±10%	SLD30N-1TH1B*	A, G, R, S, W, Y	SLDN-32F-*T
		115/120V AC ±10%	SLD30N-1TH12B*	A, G, R, S, W, Y	SLDN-32F-*T
		200/220V AC ±10%	SLD30N-1TH2B*	A, G, R, S, W, Y	SLDN-32F-*T
		230/240V AC ±10%	SLD30N-1TH24B*	A, G, R, S, W, Y	SLDN-32F-*T
DC-DC Converter	1-color Full	110V DC (90 to 140V DC)	SLD30N-1CH1B*	A, G, R, S, W, Y	SLDN-32F-*T

Note 1: Specify a color code in place of * in the Type No.: A (amber), G (green), R (red), S (blue), W (white), Y (yellow).

Note 2: The above SLD30N units contain an LED unit of the specified color. The LED unit is installed in the SLD30N housing at the factory.

Note 3: Every SLD30N unit contains a clear marking plate and a white color screen. When color display is required during power off, order a color screen separately and replace the clear marking plate with the color screen. For Type No. of color screens, see page 18.

• Full Voltage Types for 6V and 12V AC/DC (Order LED Units Separately)

Input Type	Illumination Face	Operating Voltage	Type No.	Illumination Color Code	Applicable LED Unit (see ratings on page 17)
Full Voltage	1-color Full	6V AC/DC ±5%	SLD30N-1DH0B-6	A, G, R, W, Y	SLDN-36F-*T
		12V AC/DC ±10%	SLD30N-1DH0B-12	A, G, R, W, Y	SLDN-31F-*T

Note 1: The above SLD30N units are not supplied with LED units. Order applicable LED units by specifying a color code in place of * in the Type No.: A (amber), G (green), R (red), W (white), Y (yellow).

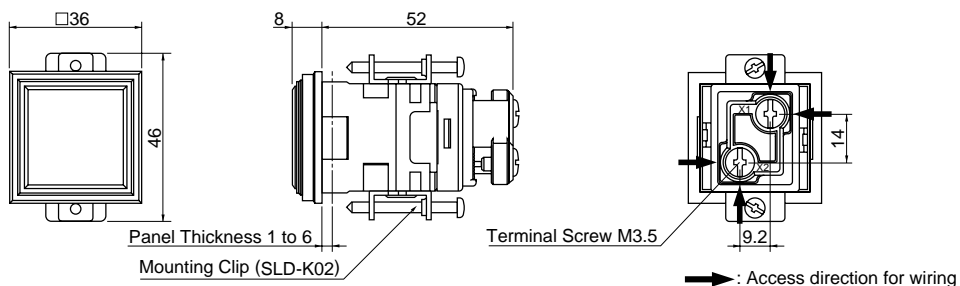
Note 2: Every SLD30N unit contains a clear marking plate and a white color screen. When color display is required during power off, order a color screen separately and replace the clear marking plate with the color screen. For Type No. of color screens, see page 18.

SLDN Series Display Lights

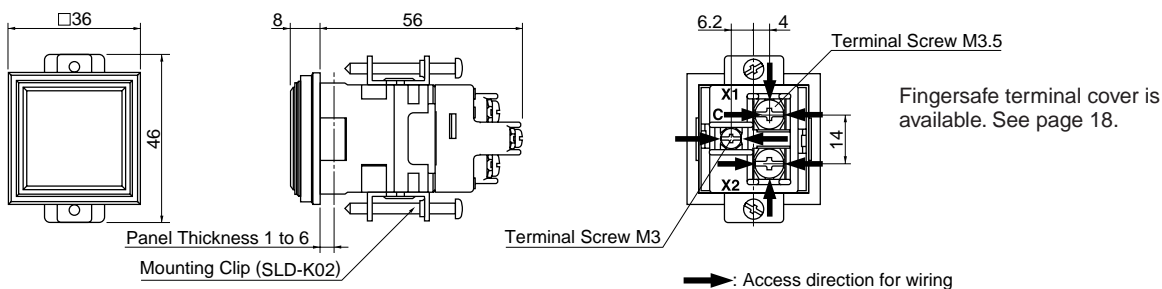
SLD30N	DIN36mm Square (Illumination face size 28mm square)
---------------	--

Dimensions

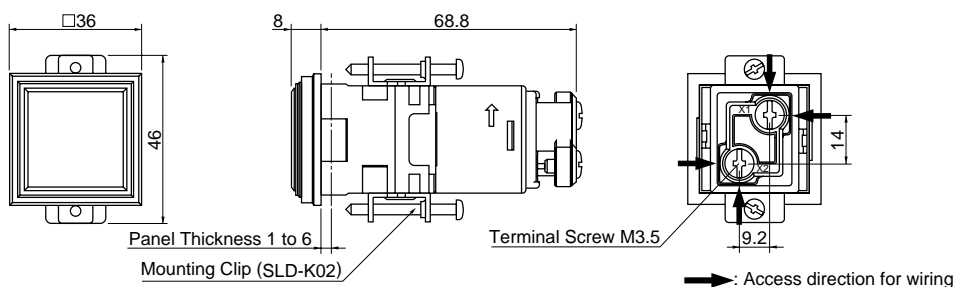
• Full Voltage Type (1-color full)



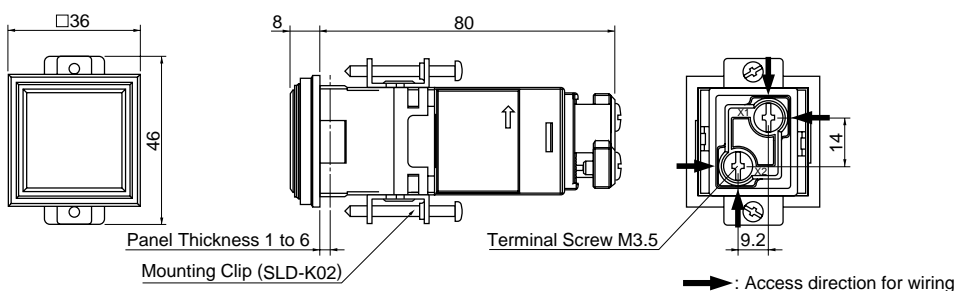
• Full Voltage Type (1-color full w/check terminal and 2-color alternate)



• Transformer Type

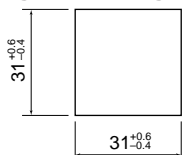


• DC-DC Converter Type

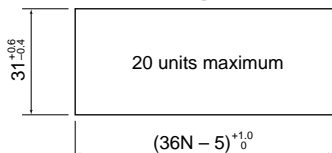


Panel Cut-out

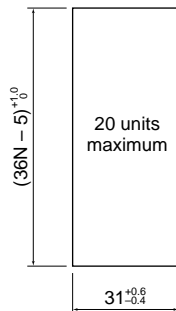
• Single Mounting



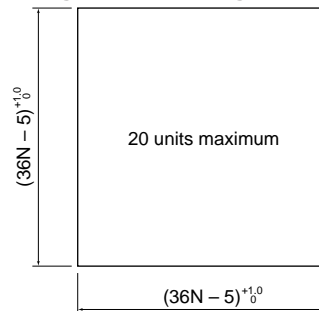
• Horizontal Mounting



• Vertical Mounting



• Integrated Mounting



N: No. of units (rows/columns)

When using leaf springs for temporary fastening, order SLD-30KVP separately. See page 23.

All dimensions in mm.

SLD44N	40mm Square (Illumination face size 32mm square)
---------------	---

Specifications



Input Type	Full Voltage	Transformer	DC-DC Converter
Rated Voltage (Primary Voltage)	24V AC/DC, 24V DC *1 6V AC/DC, 12V AC/DC	100/110, 115/120, 200/220, 230/240V AC	110V DC
Light Source	1-color LED unit 2-color LED unit *2	1-color LED unit	
Face Division	Full		
Illumination Color	Amber, Green, Red, Blue, White, Yellow Red/Green *2	Amber, Green, Red, Blue, White, Yellow	
Marking Plate	Clear (31 × 31 × 1 mm)		
Color Screen	White (31 × 31 × 1 mm)		
Engraving Area	29 × 29 mm		
Insulation Resistance	Between live and dead parts: 100 MΩ minimum (500V DC megger)		
Dielectric Strength	Between live and dead parts: 2000V, 1 minute	2500V, 1 minute	
Vibration Resistance	5 to 55 Hz, amplitude 0.5 mm		
Shock Resistance	1000 m/s ² (100G)		
Operating Temperature	-20 to +40°C (no freezing)		-10 to +40°C (no freezing)
Operating Humidity	45 to 85% RH (no condensation)		
Housing Color	Black		
Weight (approx.)	46g (1-color full) 49g (w/check terminal) 49g (2-color alternate)	93g (1-color full)	60g (1-color full)

*1: 24V DC is for 1-color full w/check terminal and 2-color alternate types only.

*2: For 2-color alternate type

Types

Input Type	Illumination Face	Operating Voltage	Type No.	Illumination Color Code	Built-in LED Unit (see ratings on page 17)
Full Voltage	1-color Full	24V AC/DC ±10%	SLD44N-1DH2B*	A, G, R, S, W, Y	SLDN-92F-*T
	1-color Full w/check terminal	24V DC ±10%	SLD44N-1DHM2B*	A, G, R, S, W, Y	SLDN-92F-*T
	2-color Alternate	24V DC ±10%	SLD44N-1DW2BRG	RG (red/green)	SLDN-92FW-RGT
Transformer	1-color Full	100/110V AC ±10%	SLD44N-1TH1B*	A, G, R, S, W, Y	SLDN-92F-*T
		115/120V AC ±10%	SLD44N-1TH12B*	A, G, R, S, W, Y	SLDN-92F-*T
		200/220V AC ±10%	SLD44N-1TH2B*	A, G, R, S, W, Y	SLDN-92F-*T
		230/240V AC ±10%	SLD44N-1TH24B*	A, G, R, S, W, Y	SLDN-92F-*T
DC-DC Converter	1-color Full	110V DC (90 to 140V DC)	SLD44N-1CH1B*	A, G, R, S, W, Y	SLDN-92F-*T

Note 1: Specify a color code in place of * in the Type No.: A (amber), G (green), R (red), S (blue), W (white), Y (yellow).

Note 2: The above SLD44N units contain an LED unit of the specified color. The LED unit is installed in the SLD44N housing at the factory.

Note 3: Every SLD44N unit contains a clear marking plate and a white color screen. When color display is required during power off, order a color screen separately and replace the clear marking plate with the color screen. For Type No. of color screens, see page 18.

• Full Voltage Types for 6V and 12V AC/DC (Order LED Units Separately)

Input Type	Illumination Face	Operating Voltage	Type No.	Illumination Color Code	Applicable LED Unit (see ratings on page 17)
Full Voltage	1-color Full	6V AC/DC ±5%	SLD44N-1DH0B-6	A, G, R, W, Y	SLDN-96F-*T
		12V AC/DC ±10%	SLD44N-1DH0B-12	A, G, R, W, Y	SLDN-91F-*T

Note 1: The above SLD44N units are not supplied with LED units. Order applicable LED units by specifying a color code in place of * in the Type No.: A (amber), G (green), R (red), W (white), Y (yellow).

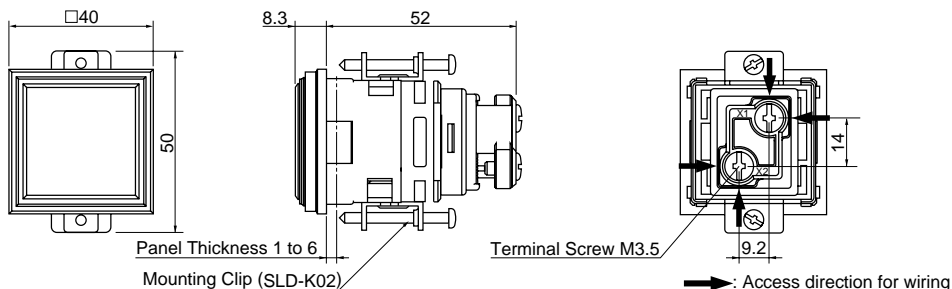
Note 2: Every SLD44N unit contains a clear marking plate and a white color screen. When color display is required during power off, order a color screen separately and replace the clear marking plate with the color screen. For Type No. of color screens, see page 18.

SLDN Series Display Lights

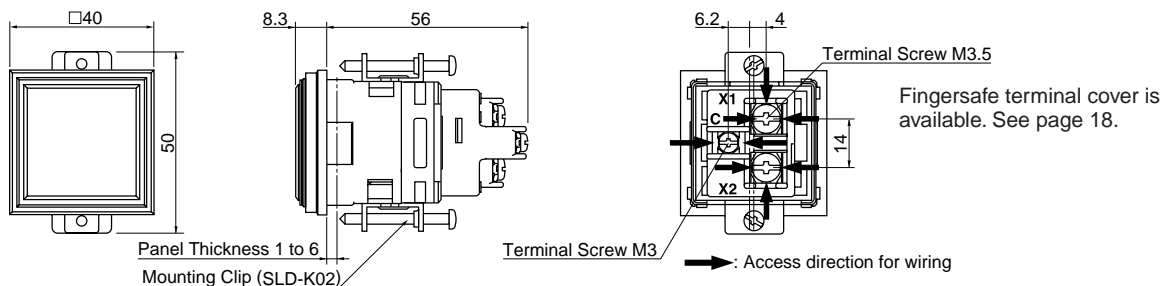
SLD44N	40mm Square (Illumination face size 32mm square)
---------------	---

Dimensions

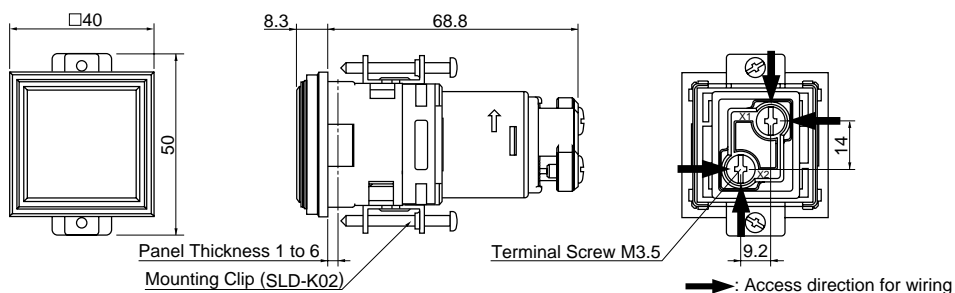
• Full Voltage Type (1-color full)



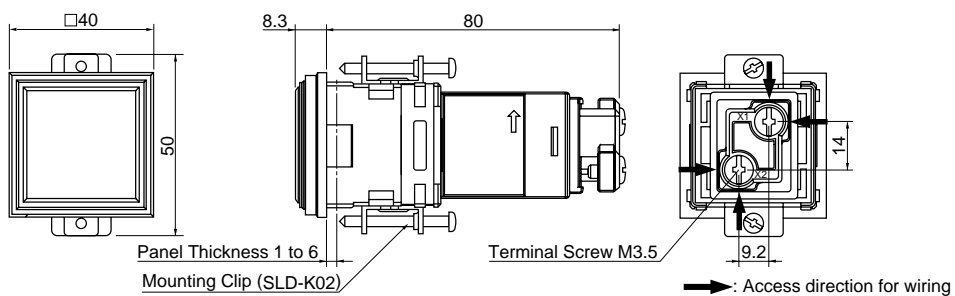
• Full Voltage Type (1-color full w/check terminal and 2-color alternate)



• Transformer Type

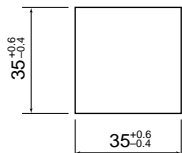


• DC-DC Converter Type

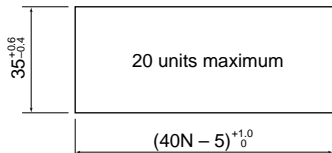


Panel Cut-out

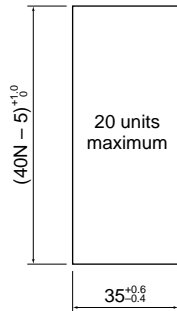
• Single Mounting



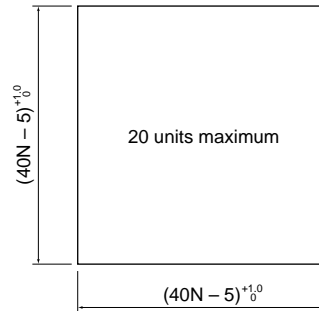
• Horizontal Mounting



• Vertical Mounting



• Integrated Mounting



N: No. of units (rows/columns)

When using leaf springs for temporary fastening, order SLDN-44KVP separately. See page 23.

All dimensions in mm.

SLD72N	DIN36 × 72mm (Illumination face size 28 × 64mm)
---------------	--



Specifications

Input Type	Full Voltage	Transformer	DC-DC Converter
Rated Voltage (Primary Voltage)	24V AC/DC, 24V DC *1 6V AC/DC, 12V AC/DC	100/110, 115/120, 200/220, 230/240V AC	110V DC
Light Source	1-color LED unit 2-color LED unit *2	1-color LED unit	
Face Division	Full *3, 2-way split, 3-way split	Full, 2-way split, 3-way split	Full
Illumination Color	Amber, Green, Red, Blue, White, Yellow Red/Green *2	Amber, Green, Red, Blue, White, Yellow	
Marking Plate	Clear (27 × 63 × 1 mm)		
Color Screen	White (Full: 27 × 63 × 1 mm, 2-way split: 27 × 31.5 × 1 mm, 3-way split: 27 × 21 × 1 mm)		
Engraving Area	Full: 25 × 61 mm, 2-way split: 25 × 29.5 mm, 3-way split: 25 × 19 mm		
Insulation Resistance	Between live and dead parts: 100 MΩ minimum (500V DC megger)		
Dielectric Strength	Between live and dead parts: 2000V, 1 minute		2500V, 1 minute
Vibration Resistance	5 to 55 Hz, amplitude 0.5 mm		
Shock Resistance	1000 m/s ² (100G)		
Operating Temperature	-20 to +40°C (no freezing)		-10 to +40°C (no freezing)
Operating Humidity	45 to 85% RH (no condensation)		
Housing Color	Black		
Weight (approx.)	78g (1-color full, 2-way split) 86g (w/check terminal, 2-color alternate) 89g (3-way split)	172g (1-color full, 2-way split) 245g (3-way split)	107g (1-color full)

*1: 24V DC is for 1-color full w/check terminal and 2-color alternate types only.

*2: For 2-color alternate type

*3: The 2-color alternate type is full face illumination only.

Types

Input Type	Illumination Face	Operating Voltage	Type No.	Illumination Color Code	Built-in LED Units (see ratings on page 17)
Full Voltage	1-color Full	24V AC/DC ±10%	SLD72N-1DH2B*	A, G, R, S, W, Y	SLDN-92F-*T (2 units)
	2-way Split	24V AC/DC ±10%	SLD72N-2DH2BGR	GR	SLDN-92F-*T (2 units)
			SLD72N-2DH2BRG	RG	
	3-way Split	24V AC/DC ±10%	SLD72N-3DH2BGAR	GAR	SLDN-72F-*T (3 units)
	1-color Full w/check terminal	24V DC ±10%	SLD72N-1DHM2B*	A, G, R, S, W, Y	SLDN-92F-*T (2 units)
2-color Alternate	24V DC ±10%	SLD72N-1DW2BRG	RG (red/green)	SLDN-92FW-RGT (2 units)	
Transformer	1-color Full	100/110, 115/120, 200/220, 230/240V AC ±10%	SLD72N-1TH□B*	A, G, R, S, W, Y	SLDN-92F-*T (2 units)
	2-way Split		SLD72N-2TH□BGR	GR	SLDN-92F-*T (2 units)
			SLD72N-2TH□BRG	RG	
3-way Split	SLD72N-3TH□BGAR	GAR	SLDN-72F-*T (3 units)		
DC-DC Converter	1-color Full	110V DC (90 to 140V DC)	SLD72N-1CH1B*	A, G, R, S, W, Y	SLDN-92F-*T (2 units)

Note 1: Specify a color code in place of * in the Type No.: A (amber), G (green), R (red), S (blue), W (white), Y (yellow).

Note 2: Specify an operating voltage (primary voltage) code of the transformer in place of □ in the Type No.:

1 (100/110V AC), 12 (115/120V AC), 2 (200/220V AC), 24 (230/240V AC).

Note 3: The above SLD72N units contain LED units of the specified color. The LED units are installed in the SLD72N housing at the factory.

Note 4: Every SLD72N unit contains a clear marking plate and white color screen(s) of the specified split face size. When color display is required during power off, see page 18.

SLDN Series Display Lights

SLD72N	DIN36 × 72mm (Illumination face size 28 × 64mm)
---------------	--

Types

• Full Voltage and Transformer Split Illumination Types (LED Units Supplied)

Input Type	Illumination Face	Operating Voltage	Type No.	Illumination Color Code	Supplied LED Units (see ratings on page 17)
Full Voltage	2-way Split	24V AC/DC ±10%	SLD72N-2DH2B**	A, G, R, S, W, Y	SLDN-92F-*T (2 units)
	3-way Split		SLD72N-3DH2B***	A, G, R, S, W, Y	SLDN-72F-*T (3 units)
Transformer	2-way Split	100/110, 115/120, 200/220,	SLD72N-2TH□B**	A, G, R, S, W, Y	SLDN-92F-*T (2 units)
	3-way Split	230/240V AC ±10%	SLD72N-3TH□B***	A, G, R, S, W, Y	SLDN-72F-*T (3 units)

Note 1: Color codes come in place of ** or *** in the Type No.: A (amber), G (green), R (red), S (blue), W (white), Y (yellow). When ordering the above split illumination types, specify standard color codes found under "Color Code" in the tables below. The LED units can be arranged in any placement found under "Combination" in the table.

Note 2: Specify an operating voltage (primary voltage) code of the transformer in place of □ in the Type No.: 1 (100/110V AC), 12 (115/120V AC), 2 (200/220V AC), 24 (230/240V AC).

Note 3: The above SLD72N units are supplied with LED units of the specified colors. The LED units are packaged in the same box with the SLD72N housing at factory; not installed in the SLD72N housing. Install the LED units in required positions.

Note 4: Every SLD72N unit contains a clear marking plate and white color screen(s) of the specified split face size. When color display is required during power off, see page 18.

[2-way Split]

Color Code	Combination	Color Code	Combination
AA	AA	RR	RR
AG	AG GA	RS	RS SR
AR	AR RA	RW	RW WR
AS	AS SA	RY	RY YR
AW	AW WA	SS	SS
AY	AY YA	SW	SW WS
GG	GG	SY	SY YS
GS	GS SG	WW	WW
GW	GW WG	WY	WY YW
GY	GY YG	YY	YY

[3-way Split]

Color Code	Combination	Color Code	Combination	Color Code	Combination	Color Code	Combination	Color Code	Combination	Color Code	Combination	Color Code	Combination	Color Code	Combination
AAA	AAA	AGW	AGW AWG GAW	ASS	ASS SAS SSA	GGG	GGG GSG GGG	GSW	GSW GWS SGW	RRY	RRY RYY YRR	SSW	SSW SWS WSS		
AAG	AAG AGA GAA		GWA WAG WGA	ASW	ASW AWS SAW SWA WAS WSA	GGW	GGW GWG WGG		SWG WGS WSG	RSS	RSS SRS SSR	SSY	SSY SYS YSS		
AAR	AAR ARA RAA	AGY	AGY AYG GAY			GGY	GGY GYG YGG	GSY	GSY GYS SGY	RSW	RSW RWS SRW SWR WRS WSR	SWW	SWW WSW WWS		
AAS	AAS ASA SAA		GYA YAG YGA	ASY	ASY AYS SAY SYA YAS YSA	GRR	GRR RGR RRG		SYG YGS YSG			SWY	SWY SYW WSY WYS YSW YWS		
AAW	AAW AWA WAA	ARR	ARR RAR RRA			GRS	GRS GSR RGS RSG SGR SRG	GWW	GWW WGW WWG	RSY	RSY RYS SRY SYR YRS YSR				
AAY	AAY AYA YAA	ARS	ARS ASR RAS	AWW	AWW WAW WWA			GWY	GWY GYW WGY			SYW	SYW YSY YYS		
AGG	AGG GAG GGA		RSA SAR SRA	AWY	AWY AYW WAY WYA YAW YWA	GRW	GRW GWR RGW RWG WGR WRG		WYG YGW YWG	RWW	RWW WRW WWR	WWW	WWW		
AGR	AGR ARG GRA RAG RGA	ARW	ARW AWR RAW RWA WAR WRA					GYY	GYY YGY YYG	RWY	RWY RYW WRY WYR YRW YWR	WWY	WWY WYW YWW		
AGS	AGS ASG GAS GSA SAG SGA	ARY	ARY AYR RAY RYA YAR YRA	GGG	GGG			RRR	RRR RYG YGR YRG	RYY	RYY YRY YRY	YYY	YYY		
				GGR	GGR GRG RGG	GSS	GSS SGS SSG	RRW	RRW RWR WRR	SSS	SSS				

Note: For the full voltage and transformer type units, color codes GR and RG for 2-way split and color code GAR for 3-way split are found in the Type No. table on page 9.

• Full Voltage Types for 6V and 12V AC/DC (Order LED Units Separately)

Input Type	Illumination Face	Operating Voltage	Type No.	Illumination Color Code	Applicable LED Units (see ratings on page 17)
Full Voltage	1-color Full	6V AC/DC ±5%	SLD72N-1DH0B-6	A, G, R, W, Y	SLDN-96F-*T (2 units)
		12V AC/DC ±10%	SLD72N-1DH0B-12	A, G, R, W, Y	SLDN-91F-*T (2 units)
	2-way Split	6V AC/DC ±5%	SLD72N-2DH0B-6	A, G, R, W, Y	SLDN-96F-*T (2 units)
		12V AC/DC ±10%	SLD72N-2DH0B-12	A, G, R, W, Y	SLDN-91F-*T (2 units)
	3-way Split	6V AC/DC ±5%	SLD72N-3DH0B-6	A, G, R, W, Y	SLDN-76F-*T (3 units)
		12V AC/DC ±10%	SLD72N-3DH0B-12	A, G, R, W, Y	SLDN-71F-*T (3 units)

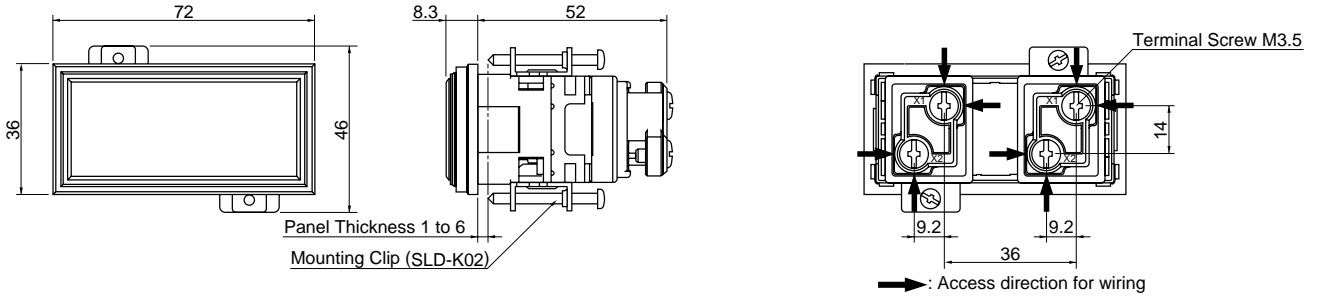
Note 1: The above SLD72N units are not supplied with LED units. Order applicable LED units by specifying a color code in place of * in the Type No.: A (amber), G (green), R (red), W (white), Y (yellow).

Note 2: Every SLD72N unit contains a clear marking plate and white color screen(s) of the specified split face size. When color display is required during power off, see page 18.

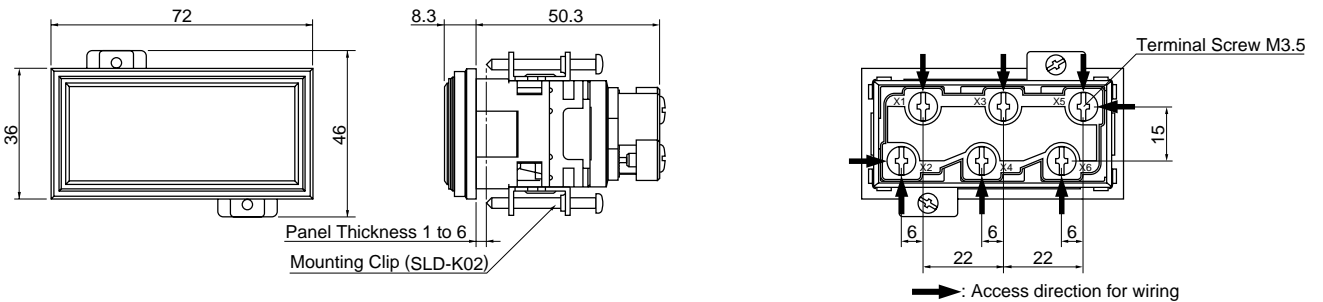
SLD72N	DIN36 × 72mm (Illumination face size 28 × 64mm)
---------------	--

Dimensions

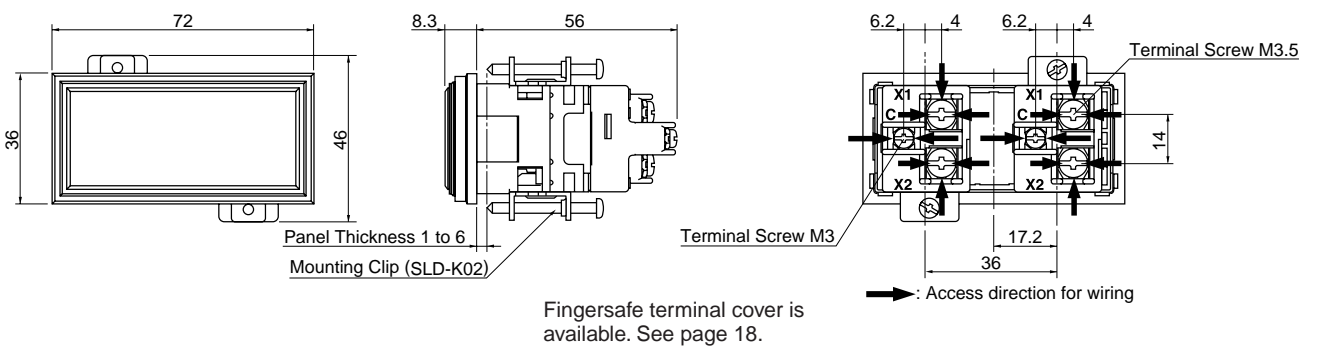
• Full Voltage Type (1-color full and 2-way split)



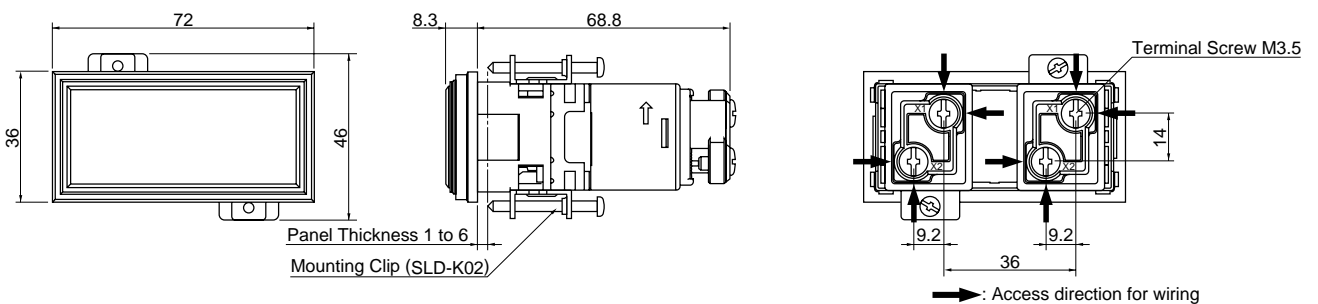
• Full Voltage Type (3-way split)



• Full Voltage Type (1-color full w/check terminal and 2-color alternate)



• Transformer Type (1-color full and 2-way split)



When using leaf springs for temporary fastening, order SLD-30KVP or SLD-7KVP separately. See page 24.

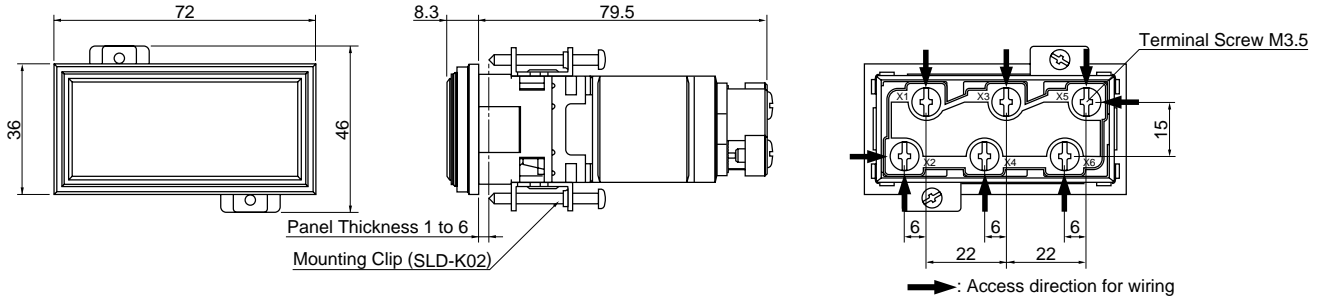
All dimensions in mm.

SLDN Series Display Lights

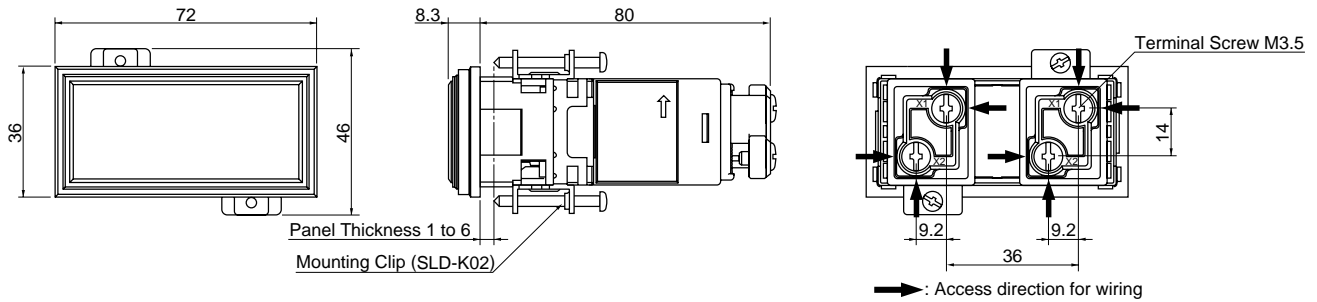
SLD72N	DIN36 × 72mm (Illumination face size 28 × 64mm)
---------------	--

Dimensions

• Transformer Type (3-way split)

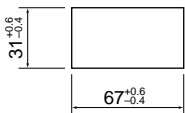


• DC-DC Converter Type



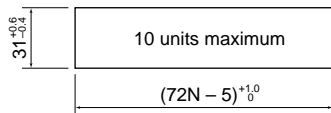
Panel Cut-out

• Single Mounting

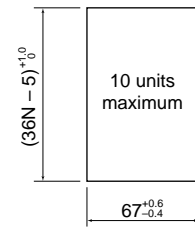


N: No. of units (rows/columns)

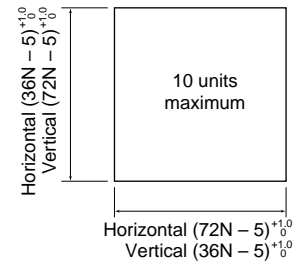
• Horizontal Mounting



• Vertical Mounting



• Integrated Mounting



All dimensions in mm.

When using leaf springs for temporary fastening, order SLD-30KVP or SLD-7KVP separately. See page 24.

SLD48N	40 × 80mm (Illumination face size 32 × 72mm)
---------------	---



Specifications

Input Type	Full Voltage	Transformer	DC-DC Converter
Rated Voltage (Primary Voltage)	24V AC/DC, 24V DC *1 6V AC/DC, 12V AC/DC	100/110, 115/120, 200/220, 230/240V AC	110V DC
Light Source	1-color LED unit 2-color LED unit *2	1-color LED unit	
Face Division	Full *3, 2-way split, 3-way split	Full, 2-way split, 3-way split	Full
Illumination Color	Amber, Green, Red, Blue, White, Yellow Red/Green *2	Amber, Green, Red, Blue, White, Yellow	
Marking Plate	Clear (31 × 71 × 1 mm)		
Color Screen	White (Full: 31 × 71 × 1 mm, 2-way split: 31 × 35.5 × 1 mm, 3-way split: 31 × 23.5 × 1 mm)		
Engraving Area	Full: 29 × 69 mm, 2-way split: 29 × 33.5 mm, 3-way split: 29 × 21.5 mm		
Insulation Resistance	Between live and dead parts: 100 MΩ minimum (500V DC megger)		
Dielectric Strength	Between live and dead parts: 2000V, 1 minute		2500V, 1 minute
Vibration Resistance	5 to 55 Hz, amplitude 0.5 mm		
Shock Resistance	1000 m/s ² (100G)		
Operating Temperature	-20 to +40°C (no freezing)		-10 to +40°C (no freezing)
Operating Humidity	45 to 85% RH (no condensation)		
Housing Color	Black		
Weight (approx.)	92g (1-color full, 2-way split) 100g (w/check terminal, 2-color alternate) 102g (3-way split)	186g (1-color full, 2-way split) 259g (3-way split)	121g (1-color full)

*1: 24V DC is for 1-color full w/check terminal and 2-color alternate types only.

*2: For 2-color alternate type

*3: The 2-color alternate type is full face illumination only.

Types

Input Type	Illumination Face	Operating Voltage	Type No.	Illumination Color Code	Built-in LED Units (see ratings on page 17)
Full Voltage	1-color Full	24V AC/DC ±10%	SLD48N-1DH2B*	A, G, R, S, W, Y	SLDN-92F-*T (2 units)
	2-way Split	24V AC/DC ±10%	SLD48N-2DH2BGR	GR	SLDN-92F-*T (2 units)
			SLD48N-2DH2BRG	RG	SLDN-92F-*T (2 units)
	3-way Split	24V AC/DC ±10%	SLD48N-3DH2BGAR	GAR	SLDN-72F-*T (3 units)
	2-color Alternate	24V DC ±10%	SLD48N-1DWM2B*	A, G, R, S, W, Y	SLDN-92F-*T (2 units)
Transformer	1-color Full	100/110, 115/120, 200/220, 230/240V AC ±10%	SLD48N-1TH□B*	A, G, R, S, W, Y	SLDN-92F-*T (2 units)
	2-way Split		SLD48N-2TH□BGR	GR	SLDN-92F-*T (2 units)
			SLD48N-2TH□BRG	RG	SLDN-92F-*T (2 units)
	3-way Split		SLD48N-3TH□BGAR	GAR	SLDN-72F-*T (3 units)
DC-DC Converter	1-color Full	110V DC (90 to 140V DC)	SLD48N-1CH1B*	A, G, R, S, W, Y	SLDN-92F-*T (2 units)

Note 1: Specify a color code in place of * in the Type No.: A (amber), G (green), R (red), S (blue), W (white), Y (yellow).

Note 2: Specify an operating voltage (primary voltage) code of the transformer in place of □ in the Type No.:
1 (100/110V AC), 12 (115/120V AC), 2 (200/220V AC), 24 (230/240V AC).

Note 3: The above SLD48N units contain LED units of the specified color. The LED units are installed in the SLD48N housing at the factory.

Note 4: Every SLD48N unit contains a clear marking plate and white color screen(s) of the specified split face size. When color display is required during power off, see page 18.

SLDN Series Display Lights

SLD48N	40 × 80mm (Illumination face size 32 × 72mm)
---------------	---

Types

• Full Voltage and Transformer Split Illumination Types (LED Units Supplied)

Input Type	Illumination Face	Operating Voltage	Type No.	Illumination Color Code	Supplied LED Units (see ratings on page 17)
Full Voltage	2-way Split	24V AC/DC ±10%	SLD48N-2DH2B**	A, G, R, S, W, Y	SLDN-92F-*T (2 units)
	3-way Split		SLD48N-3DH2B***	A, G, R, S, W, Y	SLDN-72F-*T (3 units)
Transformer	2-way Split	100/110, 115/120, 200/220,	SLD48N-2TH□B**	A, G, R, S, W, Y	SLDN-92F-*T (2 units)
	3-way Split	230/240V AC ±10%	SLD48N-3TH□B***	A, G, R, S, W, Y	SLDN-72F-*T (3 units)

Note 1: Color codes come in place of ** or *** in the Type No.: A (amber), G (green), R (red), S (blue), W (white), Y (yellow). When ordering the above split illumination types, specify standard color codes found under "Color Code" in the tables below. The LED units can be arranged in any placement found under "Combination" in the table.

Note 2: Specify an operating voltage (primary voltage) code of the transformer in place of □ in the Type No.: 1 (100/110V AC), 12 (115/120V AC), 2 (200/220V AC), 24 (230/240V AC).

Note 3: The above SLD48N units are supplied with LED units of the specified colors. The LED units are packaged in the same box with the SLD48N housing at factory; not installed in the SLD48N housing. Install the LED units in required positions.

Note 4: Every SLD48N unit contains a clear marking plate and white color screen(s) of the specified split face size. When color display is required during power off, see page 18.

[2-way Split]

Color Code	Combination	Color Code	Combination
AA	AA	RR	RR
AG	AG GA	RS	RS SR
AR	AR RA	RW	RW WR
AS	AS SA	RY	RY YR
AW	AW WA	SS	SS
AY	AY YA	SW	SW WS
GG	GG	SY	SY YS
GS	GS SG	WW	WW
GW	GW WG	WY	WY YW
GY	GY YG	YY	YY

[3-way Split]

Color Code	Combination	Color Code	Combination	Color Code	Combination	Color Code	Combination	Color Code	Combination	Color Code	Combination	Color Code	Combination	Color Code	Combination
AAA	AAA	AGW	AGW AWG GAW	ASS	ASS SAS SSA	GGG	GGG GSG GGG	GSW	GSW GWS SGW	RRY	RRY RYY YRR	SSW	SSW SWS WSS		
AAG	AAG AGA GAA		GWA WAG WGA	ASW	ASW AWS SAW SWA WAS WSA	GGW	GGW GWG WGG		SWG WGS WSG	RSS	RSS SRS SSR	SSY	SSY SYS YSS		
AAR	AAR ARA RAA	AGY	AGY AYG GAY			GGY	GGY GYG YGG	GSY	GSY GYS SGY	RSW	RSW RWS SRW SWR WRS WSR	SWW	SWW WSW WWS		
AAS	AAS ASA SAA		GYA YAG YGA	ASY	ASY AYS SAY SYA YAS YSA	GRR	GRR RGR RRG		SYG YGS YSG			SWY	SWY SYW WSY WYS YSW YWS		
AAW	AAW AWA WAA	ARR	ARR RAR RRA			GRS	GRS GSR RGS RSG SGR SRG	GWW	GWW WGW WWG	RSY	RSY RYS SRY SYR YRS YSR	SWY	SWY SYW WSY WYS YSW YWS		
AAY	AAY AYA YAA	ARS	ARS ASR RAS RSA SAR SRA	AWW	AWW WAW WWA			GWY	GWY GYW WGY			SYW	SYW YSW WYS WYS YSW YWS		
AGG	AGG GAG GGA		RSA SAR SRA	AWY	AWY AYW WAY WYA YAW YWA	GRW	GRW GWR RGW RWG WGR WRG		WYG YGW YWG	RWW	RWW WRW WWR	WWW	WWW		
AGR	AGR ARG GRA RAG RGA	ARW	ARW AWR RAW RWA WAR WRA					GYY	GYY YGY YYG	RWY	RWY RYW WRY WYR YRW YWR	WWY	WWY WYW YWW		
AGS	AGS ASG GAS GSA SAG SGA	ARY	ARY AYR RAY RYA YAR YRA	GGG	GGG			RRR	RRR RYG YGR YRG	RRY	RRY RYY YRY YYR	YYY	YYY		
				GGR	GGR GRG RGG	GSS	GSS SGS SSG	RRW	RRW RWR WRR	SSS	SSS				

Note: For the full voltage and transformer type units, color codes GR and RG for 2-way split and color code GAR for 3-way split are found in the Type No. table on page 13.

• Full Voltage Types for 6V and 12V AC/DC (Order LED Units Separately)

Input Type	Illumination Face	Operating Voltage	Type No.	Illumination Color Code	Applicable LED Units (see ratings on page 17)
Full Voltage	1-color Full	6V AC/DC ±5%	SLD48N-1DH0B-6	A, G, R, W, Y	SLDN-96F-*T (2 units)
		12V AC/DC ±10%	SLD48N-1DH0B-12	A, G, R, W, Y	SLDN-91F-*T (2 units)
	2-way Split	6V AC/DC ±5%	SLD48N-2DH0B-6	A, G, R, W, Y	SLDN-96F-*T (2 units)
		12V AC/DC ±10%	SLD48N-2DH0B-12	A, G, R, W, Y	SLDN-91F-*T (2 units)
	3-way Split	6V AC/DC ±5%	SLD48N-3DH0B-6	A, G, R, W, Y	SLDN-76F-*T (3 units)
		12V AC/DC ±10%	SLD48N-3DH0B-12	A, G, R, W, Y	SLDN-71F-*T (3 units)

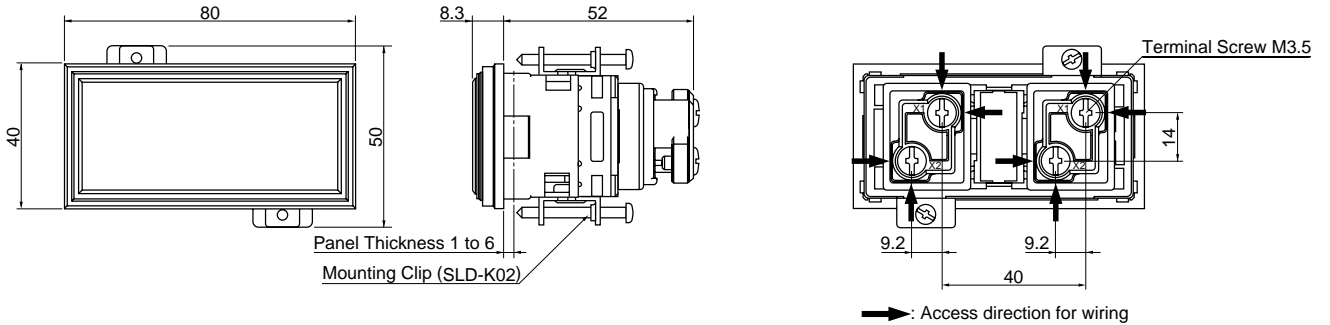
Note 1: The above SLD48N units are not supplied with LED units. Order applicable LED units by specifying a color code in place of * in the Type No.: A (amber), G (green), R (red), W (white), Y (yellow).

Note 2: Every SLD48N unit contains a clear marking plate and white color screen(s) of the specified split face size. When color display is required during power off, see page 18.

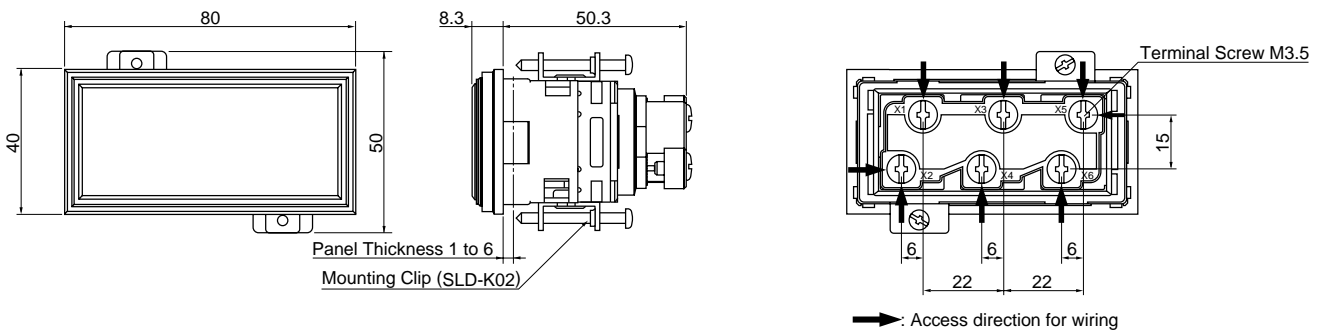
SLD48N	40 × 80mm (Illumination face size 32 × 72mm)
---------------	---

Dimensions

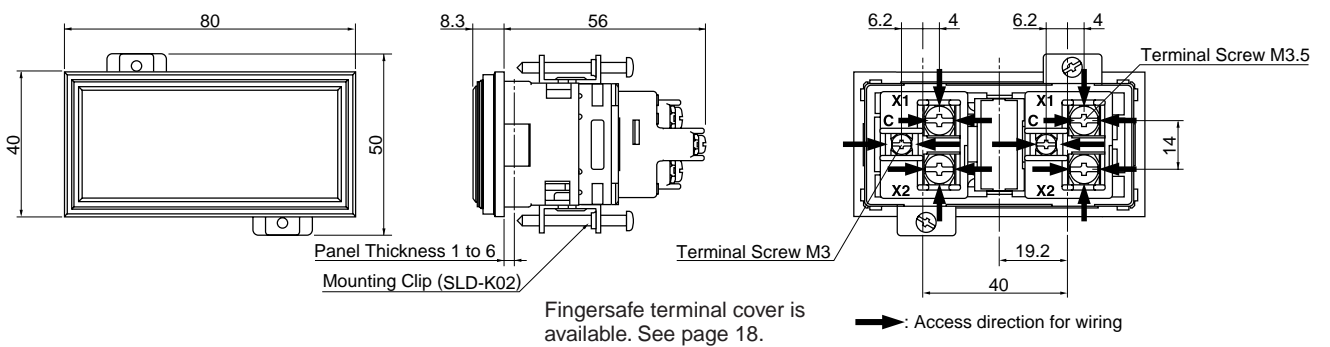
• Full Voltage Type (1-color full and 2-way split)



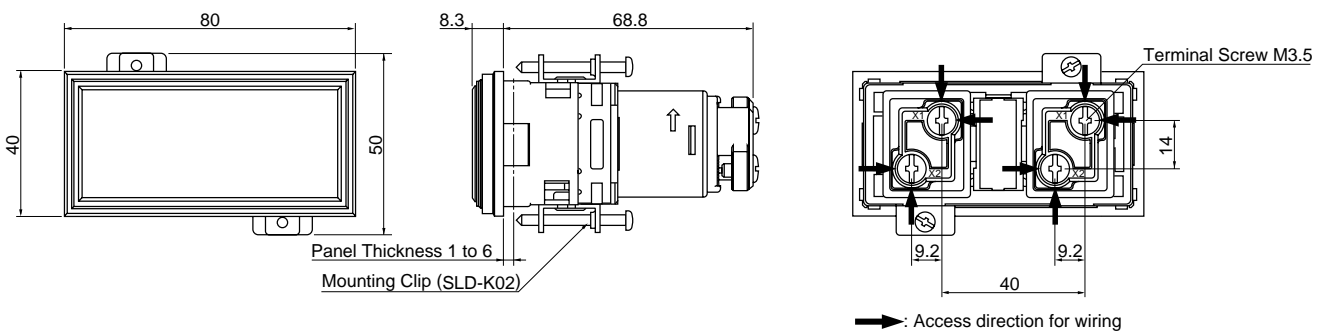
• Full Voltage Type (3-way split)



• Full Voltage Type (1-color full w/check terminal and 2-color alternate)



• Transformer Type (1-color full and 2-way split)



When using leaf springs for temporary fastening, order SLDN-44KVP or SLDN-8KVP separately. See page 24.

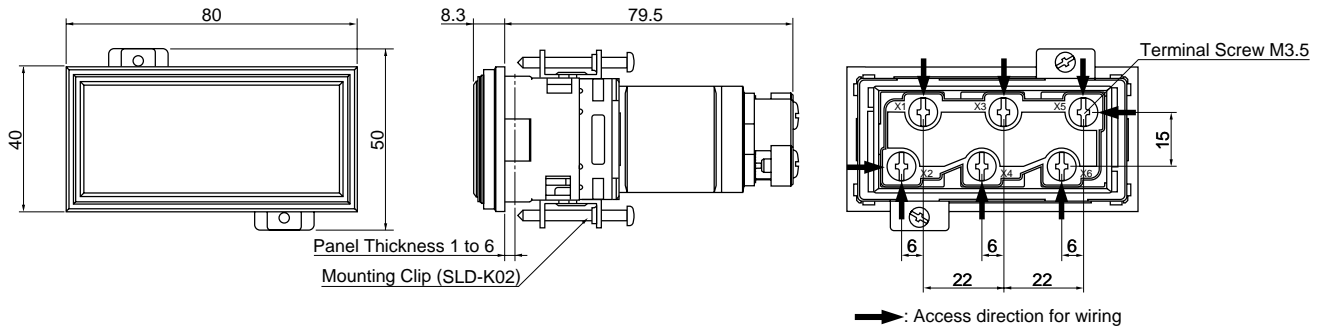
All dimensions in mm.

SLDN Series Display Lights

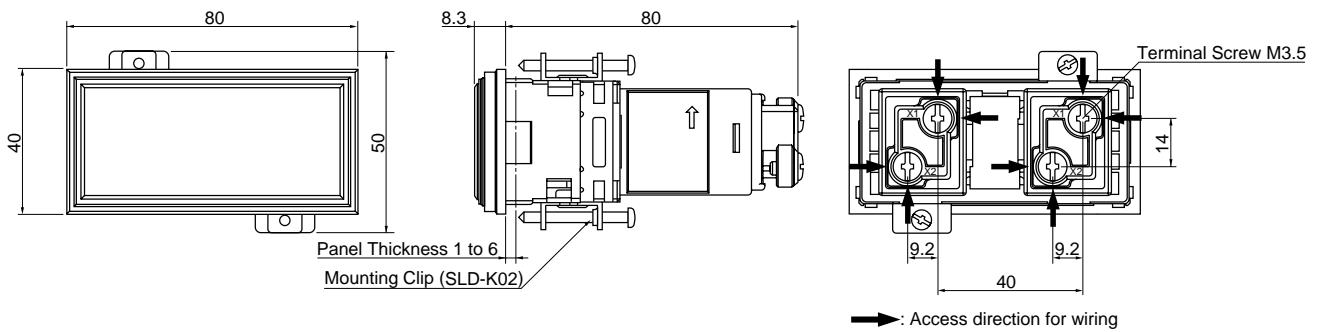
SLD48N	40 × 80mm (Illumination face size 32 × 72mm)
---------------	---

Dimensions

• Transformer Type (3-way split)

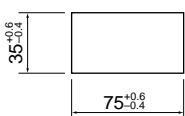


• DC-DC Converter Type



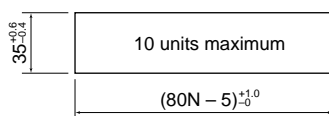
Panel Cut-out

• Single Mounting

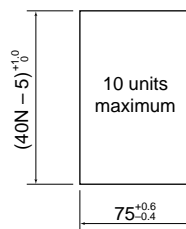


N: No. of units (rows/columns)

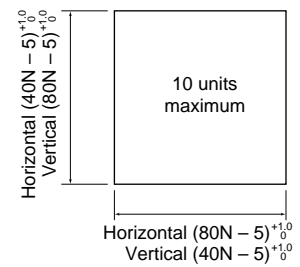
• Horizontal Mounting



• Vertical Mounting



• Integrated Mounting






All dimensions in mm.

When using leaf springs for temporary fastening, order SLDN-44KVP or SLDN-8KVP separately. See page 24.

LED Units

• 24V AC/DC (1-color) and 24V DC (2-color)

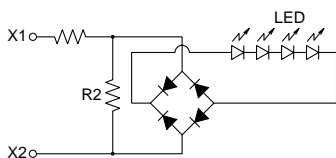
Appearance	For use on	Type No.	Illumination Color	Rating	Package Quantity
 (supplied)	SLD30N	SLDN-32F-AT	Amber	24V AC/DC, 12 mA	1
		SLDN-32F-GT	Green	24V AC/DC, 12 mA	
		SLDN-32F-RT	Red	24V AC/DC, 13 mA	
		SLDN-32F-ST	Blue	24V AC/DC, 12 mA	
		SLDN-32F-WT	White	24V AC/DC, 13 mA	
		SLDN-32F-YT	Yellow	24V AC/DC, 13 mA	
		SLDN-32FW-RGT	Red/Green	24V DC, 13 mA (red)/12 mA (green)	
 (supplied)	SLD44N SLD72N (Full/2-way split) SLD48N (Full/2-way split)	SLDN-92F-AT	Amber	24V AC/DC, 12 mA	1
		SLDN-92F-GT	Green	24V AC/DC, 12 mA	
		SLDN-92F-RT	Red	24V AC/DC, 13 mA	
		SLDN-92F-ST	Blue	24V AC/DC, 12 mA	
		SLDN-92F-WT	White	24V AC/DC, 13 mA	
		SLDN-92F-YT	Yellow	24V AC/DC, 13 mA	
		SLDN-92FW-RGT	Red/Green	24V DC, 13 mA (red)/12 mA (green)	
 (supplied)	SLD72N (3-way split) SLD48N (3-way split)	SLDN-72F-AT	Amber	24V AC/DC, 12 mA	1
		SLDN-72F-GT	Green	24V AC/DC, 12 mA	
		SLDN-72F-RT	Red	24V AC/DC, 13 mA	
		SLDN-72F-ST	Blue	24V AC/DC, 12 mA	
		SLDN-72F-WT	White	24V AC/DC, 13 mA	
		SLDN-72F-YT	Yellow	24V AC/DC, 13 mA	

• 6V and 12V AC/DC (1-color)

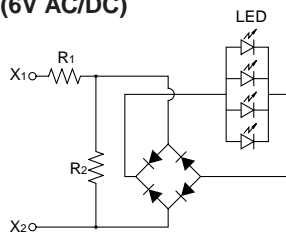
For use on	Illumination Color	6V AC/DC		12V AC/DC		Package Quantity
		Type No.	Rating	Type No.	Rating	
SLD30N	Amber	SLDN-36F-AT	6V AC/DC, 39 mA	SLDN-31F-AT	12V AC/DC, 21 mA	1
	Green	SLDN-36F-GT	6V AC/DC, 39 mA	SLDN-31F-GT	12V AC/DC, 21 mA	
	Red	SLDN-36F-RT	6V AC/DC, 43 mA	SLDN-31F-RT	12V AC/DC, 23 mA	
	White	SLDN-36F-WT	6V AC/DC, 43 mA	SLDN-31F-WT	12V AC/DC, 23 mA	
	Yellow	SLDN-36F-YT	6V AC/DC, 43 mA	SLDN-31F-YT	12V AC/DC, 23 mA	
SLD44N SLD72N (Full/2-way split) SLD48N (Full/2-way split)	Amber	SLDN-96F-AT	6V AC/DC, 39 mA	SLDN-91F-AT	12V AC/DC, 21 mA	1
	Green	SLDN-96F-GT	6V AC/DC, 39 mA	SLDN-91F-GT	12V AC/DC, 21 mA	
	Red	SLDN-96F-RT	6V AC/DC, 43 mA	SLDN-91F-RT	12V AC/DC, 23 mA	
	White	SLDN-96F-WT	6V AC/DC, 43 mA	SLDN-91F-WT	12V AC/DC, 23 mA	
	Yellow	SLDN-96F-YT	6V AC/DC, 43 mA	SLDN-91F-YT	12V AC/DC, 23 mA	
SLD72N (3-way split) SLD48N (3-way split)	Amber	SLDN-76F-AT	6V AC/DC, 39 mA	SLDN-71F-AT	12V AC/DC, 21 mA	1
	Green	SLDN-76F-GT	6V AC/DC, 39 mA	SLDN-71F-GT	12V AC/DC, 21 mA	
	Red	SLDN-76F-RT	6V AC/DC, 43 mA	SLDN-71F-RT	12V AC/DC, 23 mA	
	White	SLDN-76F-WT	6V AC/DC, 43 mA	SLDN-71F-WT	12V AC/DC, 23 mA	
	Yellow	SLDN-76F-YT	6V AC/DC, 43 mA	SLDN-71F-YT	12V AC/DC, 23 mA	

• LED Unit Internal Circuits

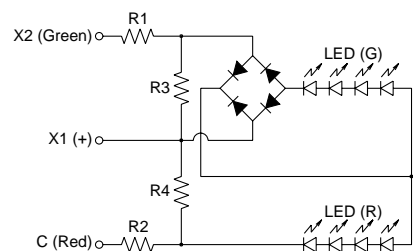
1-color LED Unit (24V AC/DC)



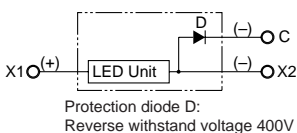
(6V AC/DC)



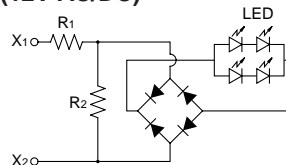
2-color Alternate LED Unit (24V DC)



• 1-color Full w/Check Terminal LED Unit Internal Circuit

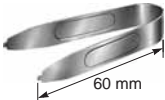






(12V AC/DC)








SLDN Series Display Lights

Accessories

Name Appearance	For use on	Material	Type No.	Ordering Type No.	Package Quantity	Remarks
 60 mm	All SLDN	Metal	MT-101	MT-101	1	Used for removing the LED unit from the SLDN housing.
	All SLDN	Rubber	MT-S01	MT-S01	1	Used for removing the lens unit from the SLDN housing.
	SLD30N SLD72N	Diecast	SLD-F30	SLD-F30PN05	5	Used for connecting SLDN units for integrated mounting. Weight: 25g
	SLD44N SLD48N		SLD-F44	SLD-F44PN05	5	
	SLD72N	Diecast	SLD-L72	SLD-L72PN05	5	Used for connecting cross-shaped joint on the longer sides of the SLD72N or SLD48N for integrated mounting. Weight: 10g
	SLD48N		SLD-L48	SLD-L48PN05	5	
	w/check terminal, 2-color alternate	PPE	SLC30-VL6	SLC30-VL6	1	Fingersafe terminal cover for 1-color w/check terminal and 2-color alternate types.


Maintenance Parts

Marking Plate and Color Screen

Name Appearance	For use on	Material	Type No.	Ordering Type No.	Package Quantity	Remarks	
	All SLDN	Metal	SLD-K02	SLD-K02PN10	10	Used for fastening SLDN units to the panel from the rear in single, row, or integrated mounting. Two mounting clips are supplied with every SLDN unit. Weight: 6g	
	SLD30N	Acrylic	SLDN-3C-*	SLDN-3C-*PN05	5	Specify a color code in place of *. White display when power off: FW (white) Color display when power off: A (amber) C (clear) G (green) R (red) S (blue) Y (yellow)	
	SLD44N		SLDN-44C-*	SLDN-44C-*PN05			
	SLD72N		Full	SLDN-7C-*			SLDN-7C-*PN05
			2-way split	SLDN-7C2-*			SLDN-7C2-*PN05
	SLD48N		3-way split	SLDN-7C3-*			SLDN-7C3-*PN05
			Full	SLDN-8C-*			SLDN-8C-*PN05
			2-way split	SLDN-8C2-*			SLDN-8C2-*PN05
	3-way split		SLDN-8C3-*	SLDN-8C3-*PN05			
	SLD30N	Polycarbonate	SLC-3LF-U	SLC-3LF-U	1		
	SLD44N		SLD-44L	SLD-44L			
	SLD72N		SLD-7L	SLD-7L			
	SLD48N		SLD-8L	SLD-8L			
	SLD30N	ABS	SLD-3W-B	SLD-3W-B	1		
	SLD44N		SLDN-44W-B	SLDN-44W-B			
	SLD72N		SLDN-7W-B	SLDN-7W-B			
	SLD48N		SLDN-8W-B	SLDN-8W-B			
	SLD72N	PBT	SLDN-7SH	SLDN-7SHPN05	5		
	SLD48N		SLDN-8SH	SLDN-8SHPN05			

Transformer

Types

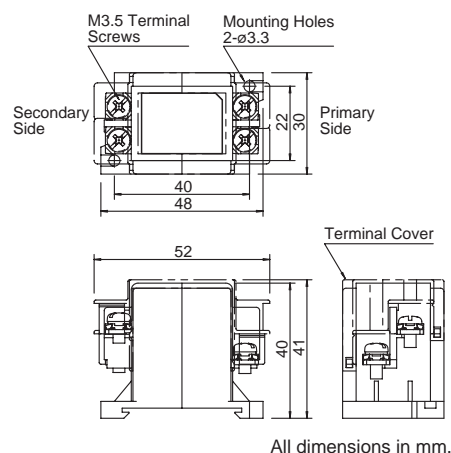
Shape	Primary Voltage	Secondary Voltage	Type No.	Package Quantity
	100/110V AC	24V AC, 0.5W	TWR512	1
	200/220V AC		TWR522	1
	400/440V AC		TWR542	1

- Terminal covers are supplied.
- Only one LED unit can be connected to each transformer.
- Use plastic mounting clip BC9Z-E/NS35N when mounting 400/440V AC primary voltage models.

Applicable LED Units

SLDN	LED Unit	For use on
SLD30N	SLDN-32F-□T	Full face illumination, 24V AC
SLD44N	SLDN-92F-□T	Full face illumination, 24V AC
SLD72N	SLDN-92F-□T	Full face and 2-way split illumination, 24V AC, 1 LED unit
	SLDN-72F-□T	3-way split illumination, 24V AC, 1 LED unit
SLD48N	SLDN-92F-□T	Full face and 2-way split illumination, 24V AC, 1 LED unit
	SLDN-72F-□T	3-way split illumination, 24V AC, 1 LED unit


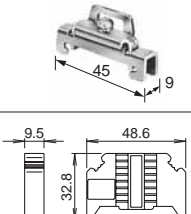
Dimensions



Specifications

Operating Voltage	100/110V AC, 200/220V AC, 400/440V AC (50/60 Hz)
Power Consumption	2.4VA
Rated Insulation Voltage	600V
Insulation Resistance	100 MΩ minimum (500V DC megger)
Dielectric Strength	2500V AC, 1 minute
Operating Temperature	-30 to +60°C (no freezing)
Relative Humidity	35 to 85% (no condensation)
Vibration Resistance	Operating Extremes: 5 to 55 Hz, amplitude 0.5 mm
Shock Resistance	Damage Limits: 1,000 m/s ² (100G)
Terminal Screw	M3.5
Applicable Wire	2 mm ² maximum, 2 wires maximum

Accessories

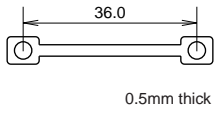

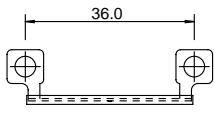
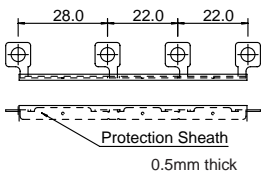
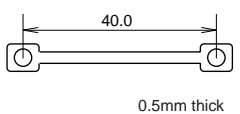
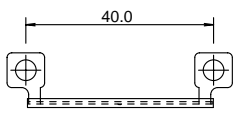
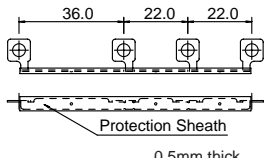
Description	Appearance	Description	Type No.	Ordering Type No.	Package Quantity
DIN Rail		Aluminum Weight: Approx. 200g Length: 1m	BAA1000	BAA1000PN10	10
		Steel Weight: Approx. 320g Length: 1m	BAP1000	BAP1000PN10	
Mounting Clip		Steel Weight: Approx. 15g	BNL6	BNL6PN10	10
		Plastic Weight: Approx. 15g	BC9Z-E/NS35N	BC9Z-E/NS35NPN10	

- Use plastic mounting clip BC9Z-E/NS35N when using 400/440V AC primary voltage transformers.

SLDN Series Display Lights

Maintenance Parts

Jumpers

For use on		Type No.	Ordering Type No.	Package Quantity	Dimensions	Application Example
SLD30N	w/Check Terminal 2-color Alternate	LJ-2	LJ-2PN10	10	 <p>36.0 0.5mm thick</p>	<ul style="list-style-type: none"> • SLD30N/SLD44N 1-color 
	Full	SLDN-JP301	SLDN-JP301PN10	10	 <p>36.0 0.5mm thick</p>	
SLD72N	Full 2-way Split				SLDN-JP723	SLDN-JP723PN10
	3-way Split	 <p>28.0 22.0 22.0 Protection Sheath 0.5mm thick</p>				
	w/Check Terminal 2-color Alternate	LJ-2	LJ-2PN10	10		
SLD44N	w/Check Terminal 2-color Alternate	LJ-6	LJ-6PN10	10	 <p>40.0 0.5mm thick</p>	
	Full	SLCN-JP45	SLCN-JP45PN10	10	 <p>40.0 0.5mm thick</p>	
SLD48N	Full 2-way Split				SLDN-JP483	SLDN-JP483PN10
	3-way Split	 <p>36.0 22.0 22.0 Protection Sheath 0.5mm thick</p>				
	w/Check Terminal 2-color Alternate	LJ-6	LJ-6PN10	10		

Safety Precautions

- Turn off power to the SLDN units before installation, removal, wiring, maintenance, or inspection. Before removing the LED unit, make sure that power is turned off. Failure to turn off the power may cause an electrical shock, create fire hazards.
- When lighting the SLDN units continuously, observe the conditions described on page 21. If these limits are exceeded, the SLDN units may heat up and create a fire hazard or damage the SLDN units.
- Use wires of a proper size to meet the voltage and current

requirements. Tighten terminal screws to a proper torque shown below. Loose screws will cause excessive heating and create fire hazards.

Terminal Screw	Proper Tightening Torque
M3	0.6 to 1.0 N·m
M3.5	1.0 to 1.3 N·m

- Do not install and operate the SLDN units where the SLDN units are subjected to direct sunlight. Excessive heating may create a fire hazard or damage the SLDN units.

Operating Instructions

Notes for Continuous Lighting (Integrated Mounting)

- Up to 10 SLD30N or SLD44N units can be lit continuously. Up to six SLD72N or SLD48N units can be lit continuously. When more units are mounted, consider the following restrictions.
- When more SLDN units are mounted, do not light more than 50% of the SLDN units continuously and light the units in a checkerboard pattern.
- When more than 50% of the units are lit continuously, limit the lighting duration to 40 minutes. Before lighting the units again, make sure that all units have cooled down.
- When using the SLDN units in other conditions, consult IDEC.
- When using 2-color alternate type units, do not light the two colors simultaneously.

Notes for Panel Mounting

- Tighten the mounting clips to a torque of 0.4 to 0.5 N·m.
- Do not repeat installation and removal of mounting clips many times. The mounting clips will become deformed and fail to ensure proper tightening.
- When mounting the SLDN units on a panel, determine the panel thickness taking the weights of the SLDN units and wires into consideration.

Wiring

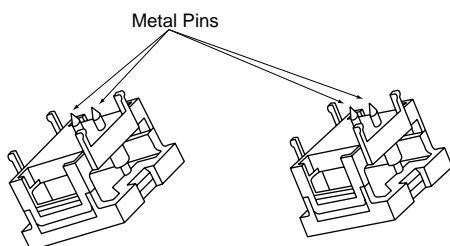
- Proper tightening torque of terminal screws are shown in the table below:

Terminal Screw	Proper Tightening Torque
M3	0.6 to 1.0 N·m
M3.5	1.0 to 1.3 N·m

- Use an insulation sheath or marking tube on the crimping part of crimping terminals to prevent electrical shocks.
- M3.5 terminals can be wired using one or two $\phi 1.6$ mm solid wires or 2 mm² stranded wires. M3 terminals can be wired using one or two 1.25 mm² stranded wires.

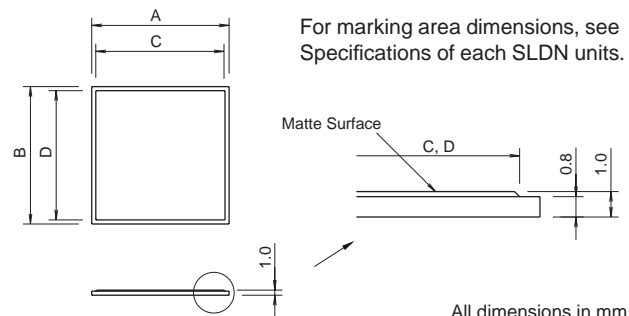
Caution for Electrostatic Discharge (ESD)

- When replacing blue and green LED units, avoid ESD to the LED pins, otherwise the internal LED elements may become damaged.



Marking

- Legends can be engraved on the clear marking plates and color screens, whose dimensions are shown below



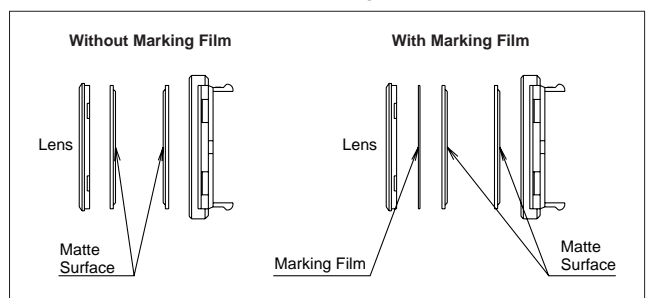
All dimensions in mm.

For use on	Face	Type No.	A	B	C	D
SLD30N	Full	SLDN-3C-□	27.0	27.0	25.4	25.4
SLD44N	Full	SLDN-44C-□	31.0	31.0	29.4	29.4
SLD72N	Full	SLDN-7C-□	63.0	27.0	61.4	25.4
	2-way split	SLDN-7C2-□	31.5	27.0	29.9	25.4
	3-way split	SLDN-7C3-□	21.0	27.0	19.4	25.4
SLD48N	Full	SLDN-8C-□	71.0	31.0	69.4	29.4
	2-way split	SLDN-8C2-□	35.5	31.0	33.9	29.4
	3-way split	SLDN-8C3-□	23.5	31.0	21.9	29.4

- In addition, thin marking films can be inserted as illustrated below. Two sheets of 0.1-mm-thick films or one sheet of 0.2-mm-thick film is applicable. Marking films are not supplied with the SLDN units and must be prepared by the user. Polyester films are recommended.

For use on	Marking Film Dimensions
SLD30N	27 × 27 mm
SLD44N	31 × 31 mm
SLD72N	27 × 63 mm
SLD48N	31 × 71 mm

- Placement of Marking Plate and Marking Film
When using a marking film, place the matte surfaces of the marking plate and color screen in the same direction to make a room for the marking film. If the matte surfaces face with each other, the marking film cannot be inserted.

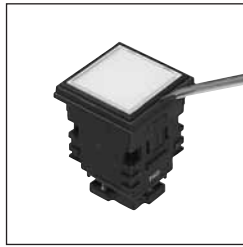


Operating Instructions

Illumination Units

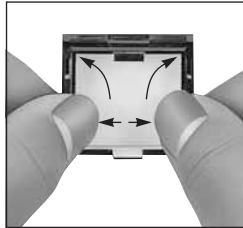
• Removing the Display Window

To remove the display window, insert the tip of a flat screwdriver into the slot on top or bottom of the lens frame. Lens unit removal tool MT-S01 can also be used to remove the display window.

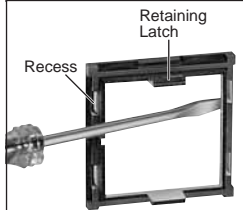


• Replacing the Lens, Marking Plate, and Color Screen [Removal]

The lens has two retaining projections each on right and left sides. To remove the lens, color screen, and marking plate from the lens frame, push open the lens frame with both hands as shown.



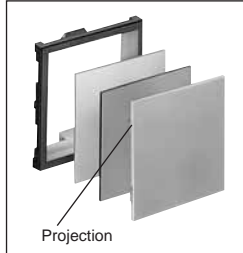
The lens can also be removed by inserting a screwdriver into one of the sides with recesses. Since the lens has an orientation due to projections, be sure to insert the screwdriver in the direction as shown. Take care not to damage or scratch the lens surface.



[Installation]

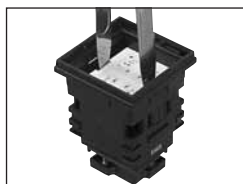
Install the color screen and marking plate into the lens frame.

To install the lens, insert its retaining projections into the recesses inside the lens frame, and press the lens on the other side into the lens frame.



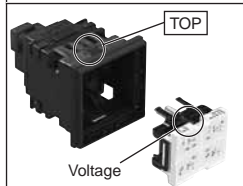
• Replacing the LED Unit [Removal]

Use the LED unit removal tool (MT-101) to pull out the LED unit.



[Installation]

The LED unit has an orientation. To install the LED unit, place the voltage marking on the LED unit in the same direction as the TOP marking on the on the LED unit, and push in the LED unit.



• Placement of Marking Plate and Color Screen

Insert marking plate, color screen, and marking film in the proper order as described below.

For use on	Placement
White Display (lamp off)	
Color Display (lamp off) Install a color screen and a white plate.	
Marking Film (prepared by the user)	

Operating Instructions

Installation on Panel: SLD30N & SLD44N (Square Types)

• Single, Horizontal, or Vertical One-row Mounting

All SLDN units are mounted using the supplied mounting clips. When using leaf springs for temporary fastening, order SLD30KVP (for SLD30N) or SLDN-44KVP (for SLD44N) separately.

A maximum of 20 SLD30N or SLD44N units can be mounted collectively in a row or integrated form.

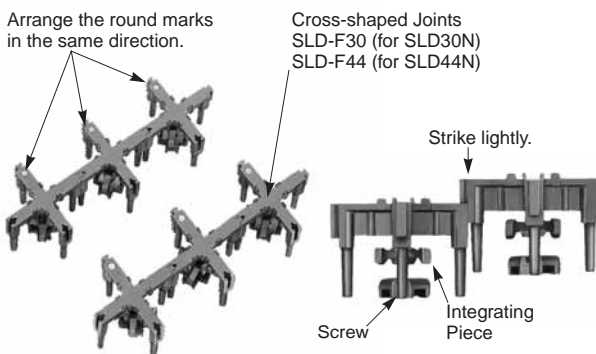
Mounting	Single Mounting	Horizontal Mounting	Vertical Mounting
Outside View			
Mounting Procedure	<p>Push the SLDN unit into the panel cut-out from the front of the panel.</p> <p>When using optional leaf springs for temporary fastening, attach the leaf springs before installing the SLDN unit.</p> <p>Install two mounting clips and tighten the screws.</p>	<p>Push the SLDN units starting from the end of the row into the panel cut-out from the front of the panel.</p> <p>When using optional leaf springs for temporary fastening, attach the leaf springs before installing the SLDN unit.</p> <p>Install two mounting clips to each unit and tighten the screws.</p>	<p>Push the SLDN units starting from the bottom of the column into the panel cut-out from the front of the panel.</p> <p>When using optional leaf springs for temporary fastening, attach the leaf springs before installing the SLDN unit.</p> <p>Install mounting clips to combine adjoining SLDN units and one mounting clip each at the top and bottom of the column, and tighten the screws.</p>

Note: Tighten the mounting clip screws to a torque of approx. 0.4 to 0.5 N·m.

• Integrated Mounting

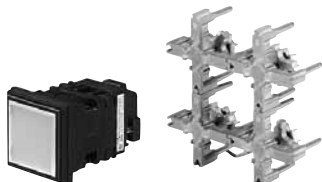
1. Assemble the cross-shaped joints.

First, assemble the cross-shaped joints in a row with round marks in the same direction. Then, combine the rows of assembled cross-shaped joints together.

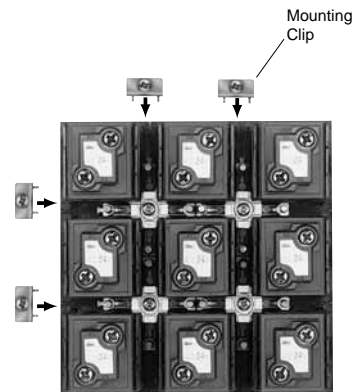


2. Lock the housings with the cross-shaped joints.

Insert the SLDN units into the assembled cross-shaped joints. Tighten the screws to integrate adjoining four SLDN units with the integrating pieces on the cross-shaped joints.



3. Install into panel cut-out.



Insert the cluster of SLDN units into the panel cut-out from the front of the panel. Install the mounting clips as shown and tighten the screws lightly to a torque of approximately 0.4 to 0.5 N·m.

Quantity of mounting clips = $(N - 1) \times 2 + (N' - 1) \times 2$

Quantity of cross-shaped joints = $(N - 1) \times (N' - 1)$

where N and N' are the numbers of rows and columns, respectively.

SLDN Series Display Lights

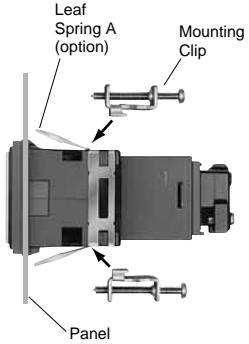
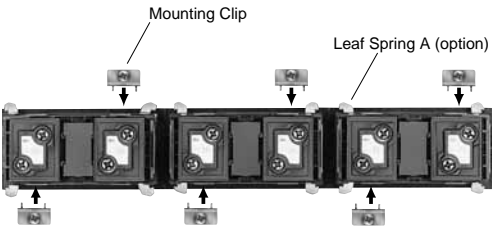
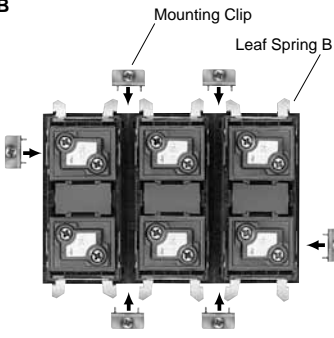
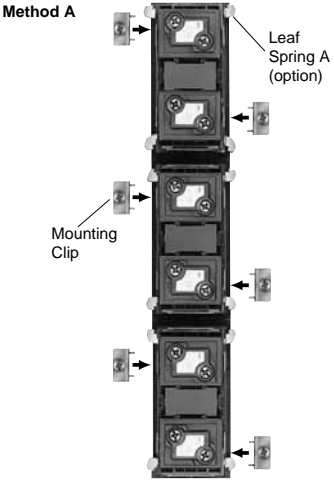
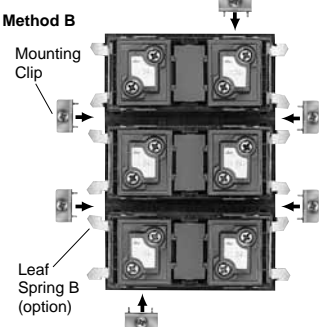
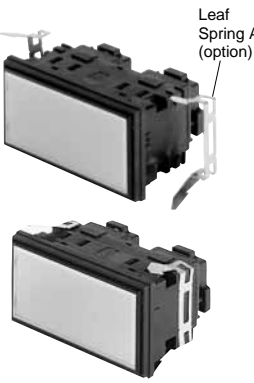

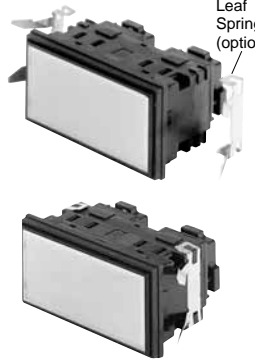
Operating Instructions

Installation on Panel: SLD72N & SLD48N (Rectangular Types)

• Single, Horizontal, or Vertical One-row Mounting

All SLDN units are mounted using the supplied mounting clips. When using leaf springs for temporary fastening, order SLD30KVP or SLD-7KVP (for SLD72N) or SLDN-44KVP or SLDN-8KVP (for SLD48N) separately.

A maximum of 10 SLD72N or SLD48N units can be mounted collectively in a row or integrated form.

Mounting	Single Mounting	Horizontal Mounting	Vertical Mounting
<p>Outside View</p> 	<p>Method A</p>  <p>Method B</p> 	<p>Method A</p>  <p>Method B</p> 	
<p>Mounting Procedure</p>  <p>Install two mounting clips and tighten the screws.</p>	<p>Method A</p> <p>Push the SLDN units starting from the end of the row into the panel cut-out from the front of the panel.</p> <p>When using optional leaf springs for temporary fastening, attach the leaf springs before installing the SLDN unit.</p>  <p>Install two mounting clips to each unit and tighten the screws.</p>	<p>Method B</p> <p>Push the SLDN units starting from the bottom of the column into the panel cut-out from the front of the panel.</p> <p>When using optional leaf springs for temporary fastening, attach the leaf springs before installing the SLDN unit.</p>  <p>Install mounting clips to combine adjoining SLDN units and one mounting clip each at the top and bottom of the column, and tighten the screws.</p>	

Note 1: Tighten the mounting clip screws to a torque of approx. 0.4 to 0.5 N·m.

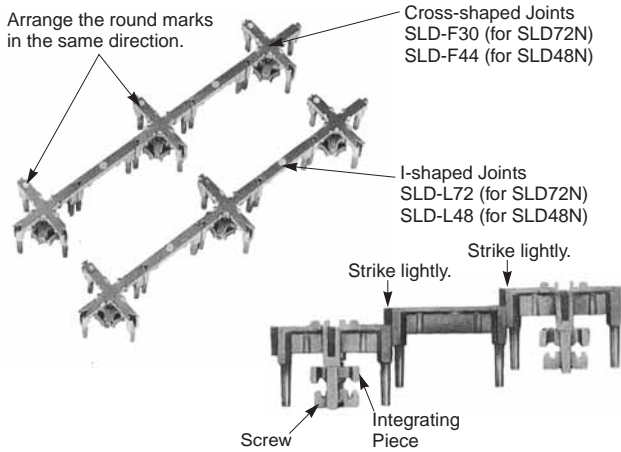
Note 2: Leaf spring A provides wings on the longer side of the SLDN unit. Leaf spring B provides wings on the shorter side of the SLDN unit. Leaf springs are not supplied with the SLDN unit. When leaf springs A are required, specify Type No. SLD-30KVP (for SLD72N) or SLDN-44KVP (for SLD48N) and required quantity in pairs. When leaf springs B are required, specify Type No. SLD-7KVP (for SLD72N) or SLDN-8KVP (for SLD48N) and required quantity in pairs.

Operating Instructions

• Integrated Mounting

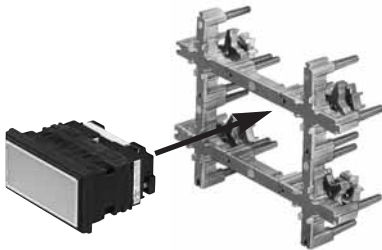
1. Assemble the cross-shaped joints.

First, assemble the cross-shaped joints in a row with round marks in the same direction together with the I-shaped joints. Then, combine the rows of assembled cross-shaped joints together.

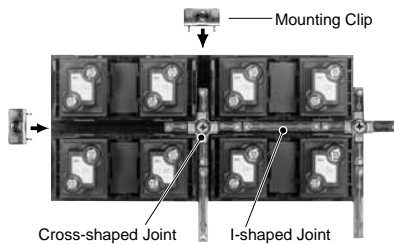


2. Lock the housings with the cross-shaped joints.

Insert the SLDN units into the assembled joints. Tighten the screws to integrate adjoining SLDN units with the integrating pieces on the cross-shaped joints.



3. Install into panel cut-out.



Insert the cluster of SLDN units into the panel cut-out from the front of the panel. Install the mounting clips as shown and tighten the screws lightly to a torque of approximately 0.4 to 0.5 N·m.

Quantity of mounting clips = $(N - 1) \times 2 + (N' - 1) \times 2$

Quantity of cross-shaped joints = $(N - 1) \times (N' - 1)$

Quantity of I-shaped joints

For horizontal mounting = $(N - 1) \times (N' - 2)$

For vertical mounting = $(N - 2) \times (N' - 1)$

where N and N' are the numbers of rows and columns, respectively.

• Quantities of Mounting Clips, Cross-shaped Joints, and I-shaped Joints Used for Integrated Mounting

Columns (N')	Mounting Clips and Joints	Rows (N)			
		2	3	4	5
2	Mounting Clips	4	6	8	10
	Cross-shaped Joints	1	2	3	4
	I-shaped Joints	0	1	2	3
3	Mounting Clips	6	8	10	12
	Cross-shaped Joints	2	4	6	8
	I-shaped Joints	0	2	4	6
4	Mounting Clips	8	10	12	14
	Cross-shaped Joints	3	6	9	12
	I-shaped Joints	0	3	6	9
5	Mounting Clips	10	12	14	—
	Cross-shaped Joints	4	8	12	—
	I-shaped Joints	0	4	8	—

Quantity of SLDN units = $N \times N'$

The maximum quantity of square SLD30N and SLD44N units for integrated mounting is 20.

The maximum quantity of rectangular SLD72N and SLD48N units for integrated mounting is 10 as shown with shading in the table above.

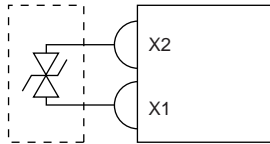
SLDN Series Display Lights

Operating Instructions

Notes for Using LED Units

• Precautions for Noise

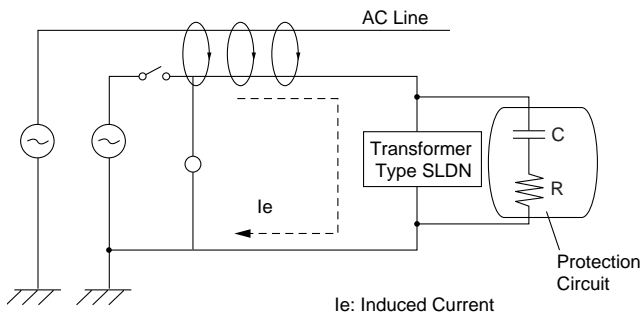
When using the SLDN unit in an environment where the SLDN is subjected to noise, connect a noise suppressor across terminals X1 and X2 as shown below.



• Countermeasures against Dim Lighting

The SLDN unit contains a provision against dim lighting due to leakage current. If the LED unit appears to be dimly lit due to induced current from nearby AC lines, take appropriate countermeasures as described below.

[Sample Circuit]



[Countermeasure]

As shown in the diagram above, connect an RC circuit in parallel with the transformer type SLDN unit. For the values of the resistor and capacitor, see the following table.

SLDN Rated Operating Voltage	Resistor R		Capacitor C (μ F)
	(Ω)	(W)	
100/110V AC (50/60 Hz)	120	0.25	0.33
200/220V AC (50/60 Hz)	120	0.25	0.10

• Installation Location

Amber, white, and yellow LED units generate very weak infrared rays. When the environment is vulnerable to infrared rays, provide appropriate protection.

Ordering Information

Notes for Ordering

1. When ordering SLDN units and accessories, specify the Type No. and quantity.
2. All SLDN units except for 6V and 12V AC/DC types are supplied with LED unit(s). For 6V and 12V AC/DC type units, order LED units separately.
3. When ordering 2-way or 3-way split illumination type SLD72N and SLD48N units (24V AC/DC full voltage and transformer types) shown on pages 10 and 14, specify the Type No. including standard color codes.
4. All SLDN units are supplied with two mounting clips.
5. All SLDN units are not supplied with leaf springs. When using leaf springs for temporary fastening, order applicable leaf springs separately. See pages 23 and 24.
6. All SLDN units are supplied with a clear marking plate of the full illumination face size and white color screens of the specified split face size. When color display is required during power off for a full illumination face, order a color screen. When color display is required for a split illumination face, order color screens of the split face size and a white marking plate of the full illumination face size. See page 18.

Ordering Examples

• Single Mounting

[Ex. 1] 24V AC/DC Full Voltage Type Units
 SLDN Unit SLD30N-1DH2BR 10 pcs

[Ex. 2] 6V AC/DC Full Voltage Type Units
 SLDN Unit SLD30N-1DH0B-6 10 pcs
 LED Unit SLDN-36F-RT 5 pcs
 LED Unit SLDN-36F-GT 5 pcs

[Ex. 3] 24V AC/DC Full Voltage Type Units (2-way split)
 SLDN Unit SLD72N-2DH2BGR 10 pcs
 SLDN Unit SLD72N-2DH2BRW 10 pcs

[Ex. 4] 6V AC/DC Full Voltage Type Units (2-way split)
 SLDN Unit SLD72N-2DH0B-6 10 pcs
 LED Unit SLDN-96F-RT 10 pcs
 LED Unit SLDN-96F-GT 10 pcs

[Ex. 5] 24V AC/DC Full Voltage Type Units (3-way split)
 SLDN Unit SLD48N-3DH2BGAR 10 pcs

[Ex. 6] 115/120V AC Transformer Type Units (3-way split)
 SLDN Unit SLD48N-3TH12BGRW 10 pcs

[Ex. 7] 6V AC/DC Full Voltage Type Units (3-way split)
 SLDN Unit SLD48N-3DH0B-6 10 pcs
 LED Unit SLDN-76F-GT 10 pcs
 LED Unit SLDN-76F-AT 10 pcs
 LED Unit SLDN-76F-RT 10 pcs

• Integrated Mounting

[Ex. 8] Square Type Units (4 rows × 5 columns)
 SLDN Unit SLD30N-1DH2BR 20 pcs
 Cross-shaped Joint SLD-F30PN05 3 packs (15 pcs)

[Ex. 9] Rectangular Type Units (2 rows × 5 columns)
 SLDN Unit SLD48N-1DH2BR 10 pcs
 Cross-shaped Joint SLD-F44PN05 1 pack (5 pcs)
 I-shaped Joint SLD-L48PN05 1 pack (5 pcs)

• Color Display When Lamp Off

[Ex. 10] 1-color Full Illumination Units
 SLDN Unit SLD72N-1DH2BR 10 pcs
 Color Screen SLDN-7C-RPN05 2 packs (10 pcs)

[Ex. 11] 3-way Split Illumination Units
 SLDN Unit SLD72N-3DH2BGAR 10 pcs
 Marking Plate (white) SLDN-7C-FWPN05 2 packs (10 pcs)
 Color Screen SLDN-7C3-GPN05 2 packs (10 pcs)
 Color Screen SLDN-7C3-APN05 2 packs (10 pcs)
 Color Screen SLDN-7C3-RPN05 2 packs (10 pcs)

Specifications and other descriptions in this catalog are subject to change without notice.



IDEC CORPORATION

7-31, Nishi-Miyahara 1-Chome, Yodogawa-ku, Osaka 532-8550, Japan
Tel: +81-6-6398-2571, Fax: +81-6-6392-9731
E-mail: products@idec.co.jp

IDEC CORPORATION (USA)
1175 Elko Drive, Sunnyvale, CA 94089-2209, USA
Tel: +1-408-747-0550 / (800) 262-IDEC (4332)
Fax: +1-408-744-9055 / (800) 635-6246
E-mail: opencontact@idec.com

IDEC CANADA LIMITED
Unit 22-151, Brunel Road Mississauga, Ontario,
L4Z 1X3, Canada
Tel: +1-905-890-8561, Toll Free: (888) 317-4332
Fax: +1-905-890-8562
E-mail: sales@ca.idec.com

IDEC AUSTRALIA PTY. LTD.
2/3 Macro Court, Rowville, Victoria 3178, Australia
Tel: +61-3-9763-3244, Toll Free: 1-800-68-4332
Fax: +61-3-9763-3255
E-mail: sales@au.idec.com

IDEC ELECTRONICS LIMITED
Unit 2, Beechwood, Chineham Business Park,
Basingstoke, Hampshire RG24 8WA, UK
Tel: +44-1256-321000, Fax: +44-1256-327755
E-mail: sales@uk.idec.com

IDEC ELEKTROTECHNIK GmbH
Wendenstrasse 331, 20537 Hamburg, Germany
Tel: +49-40-25 30 54 - 0, Fax: +49-40-25 30 54 - 24
E-mail: service@idec.de

IDEC (SHANGHAI) CORPORATION
Room 608-609, 6F, Gangtai Plaza, No. 700,
Yan'an East Road, Shanghai 200001, PRC
Tel: +86-21-5353-1000, Fax: +86-21-5353-1263
E-mail: idec@cn.idec.com

IDEC (BEIJING) CORPORATION
Room 211B, Tower B, The Grand Pacific Building,
8A Guanghua Road, Chaoyang District,
Beijing 100026, PRC
Tel: +86-10-6581-6131, Fax: +86-10-6581-5119

IDEC (SHENZHEN) CORPORATION
Unit AB-3B2, Tian Xiang Building, Tian'an Cyber Park,
Fu Tian District, Shenzhen, Guang Dong 518040, PRC
Tel: +86-755-8356-2977, Fax: +86-755-8356-2944

IDEC IZUMI (H.K.) CO., LTD.
Unit 1505-07, DCH Commercial Centre No. 25,
Westlands Road, Quarry Bay, Hong Kong
Tel: +852-2803-8989, Fax: +852-2565-0171
E-mail: info@hk.idec.com

IDEC TAIWAN CORPORATION
8F-1, No. 79, Hsin Tai Wu Road, Sec. 1,
Hsi-Chih, Taipei County, Taiwan
Tel: +886-2-2698-3929, Fax: +886-2-2698-3931
E-mail: service@idectwn.com.tw

IDEC IZUMI ASIA PTE. LTD.
No. 31, Tannery Lane #05-01, Dragon Land
Building, Singapore 347788
Tel: +65-6746-1155, Fax: +65-6844-5995
E-mail: info@sg.idec.com