

B-829(6)



WindO/I-NV2 Utility

Record Viewer

Instruction Manual

IDEC CORPORATION

Introduction

This manual describes the installing and uninstalling methods of Record Viewer, features and operations of Record Viewer, and file formats uploaded by Record Viewer.

Read this instruction manual carefully before starting operation of the WindO/I-NV2 Utility Record Viewer.

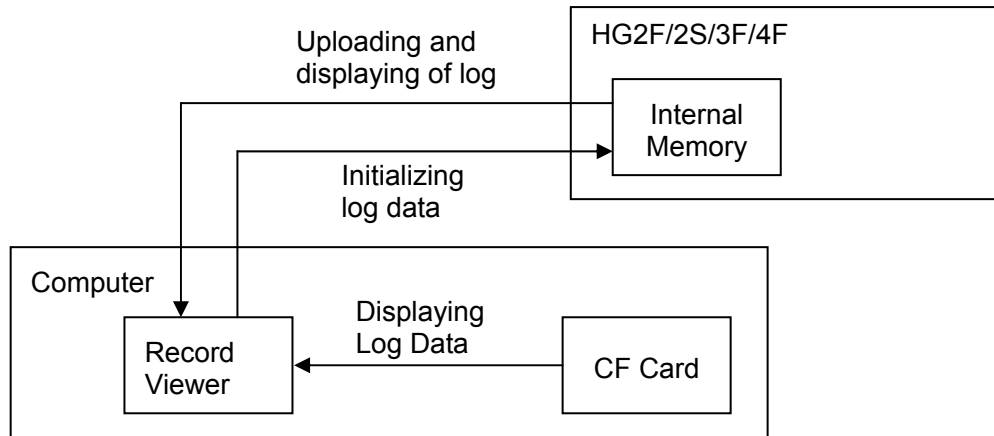
Contents

1 Record Viewer Features	1
2 Hardware Requirements	1
3 Setup	2
3-1 Installing	2
3-2 Uninstalling.....	2
4 Requirements	3
5 Page Configuration	5
6 Operation	6
6-1 Starting Record Viewer.....	6
6-2 Baud Rate Setting	6
6-3 Uploading Log Data.....	7
6-4 Selecting Language.....	7
6-5 Opening Log Data	8
6-6 Initializing Log Data	8
6-7 Viewing Manual	8
6-8 Viewing Version.....	8
7 Formats of Log Data	9
7-1 Alarm Log Data.....	9
7-2 Logging Data	12

1 Record Viewer Features

Record Viewer, which can be operated separately from WindO/I-NV2, has the following features.

- Uploading Log data (alarm log data, logging data) stored in the operator interface
- Displaying uploaded CSV file
- Initializing Log data stored in the operator interface
- Displaying file which has been outputted from the operator interface to the CF card



2 Hardware Requirements

The hardware requirements are as follows.

Item	Description
OS	Windows95(OSR2 or later)/98/Me/NT4.0/2000/XP
Computer	PC-AT or compatible
CPU	Pentium200 MHz or higher
Memory	64 MB minimum
HD	150 MB minimum free space
Graphic	SVGA (800 × 600) minimum

3 Setup

3-1 Installing

To install Record Viewer, follow the instructions below.

- *When installing WindO/I-NV2 and Record Viewer at the same time*
 - 1 Before installing the program, quit all programs running on the computer. Insert the WindO/I-NV2 setup CD into the CD-ROM drive.
 - 2 WindO/I-NV2 Installer window opens automatically. Otherwise, click **Start** → **Run**, and type **D:\Nv2lanch**. Click **OK**. The WindO/I-NV2 Installer window appears.
 - 3 Click WindO/I-NV2 Install.
 - 4 Select Record Viewer in the Select Features dialog box.
 - 5 Follow the instructions on the screen.

- *When installing Record Viewer only*

Before installing the program, quit all programs running on the computer. Insert the WindO/I-NV2 setup CD into the CD-ROM drive.

 - 1 Select Start → Run, and type D:\RecordViewer\setup\setup. Click OK.
 - 2 Follow the instructions on the screen.

3-2 Uninstalling

To uninstall Record Viewer, follow the instructions below.

- *When uninstalling Record Viewer which has been installed with WindO/I-NV2*
 - 1 Insert the WindO/I-NV2 setup CD into the CD-ROM drive.
 - 2 WindO/I-NV2 Installer window opens automatically. Otherwise, select **Start** → **Run**, and type **D:\Nv2lanch**. Click **OK**. WindO/I-NV2 Installer window appears.
 - 3 Click WindO/I-NV2 Install.
 - 4 Remove the check mark from **Record Viewer** in the **Select Features** dialog box.
 - 5 Follow the instructions on the screen.

- *When uninstalling Record Viewer which has been installed independently*
 - 1 Select Start → Settings → Control Panel → Add/remove Programs, and remove Record Viewer.

4 Requirements

The following requirements apply to the operation of Record Viewer.

- *Runtime version of the operator interface*

Note: Record Viewer can be used with runtime Ver. 1.4x and 1.8x. Log data cannot be uploaded with other versions.

- *Required fonts for Log data display*

Language	Font
Japanese	MS Gothic
European	Arial
Chinese	GB Gothic
Taiwanese	BIG5 Gothic
Korean	KS Gothic
Central European	Arial
Cyrillic	Arial
Baltic	Arial
Korean(Johab)	GungsuhChe
Other Windows Fonts	Tahoma

Note: In order to display the Log data correctly, the above fonts need to be installed on the computer. If the required fonts are not installed, the most similar font of the same language will be used instead. When no single font of the language has been installed, log data cannot be displayed correctly.

▶ The character set of Windows font was verified in Japanese, Western, CHINESE_GB2312, CHINESE_BIG5, Hangul, Greek, Turkish, Baltic, East European, Cyrillic, Vietnamese.

- *Log Data Format*

Uploaded data using Record Viewer and the data written on the CF card during the operation of the operator interface only can be displayed on Record Viewer.

Note: When editing the log data, make sure that formats of log data are complied, otherwise the data may not be displayed on Record Viewer correctly. See "Formats of Log Data."

- *Maximum Points of Log Data*

A maximum of 2056 lines of log data can be displayed on Record Viewer.

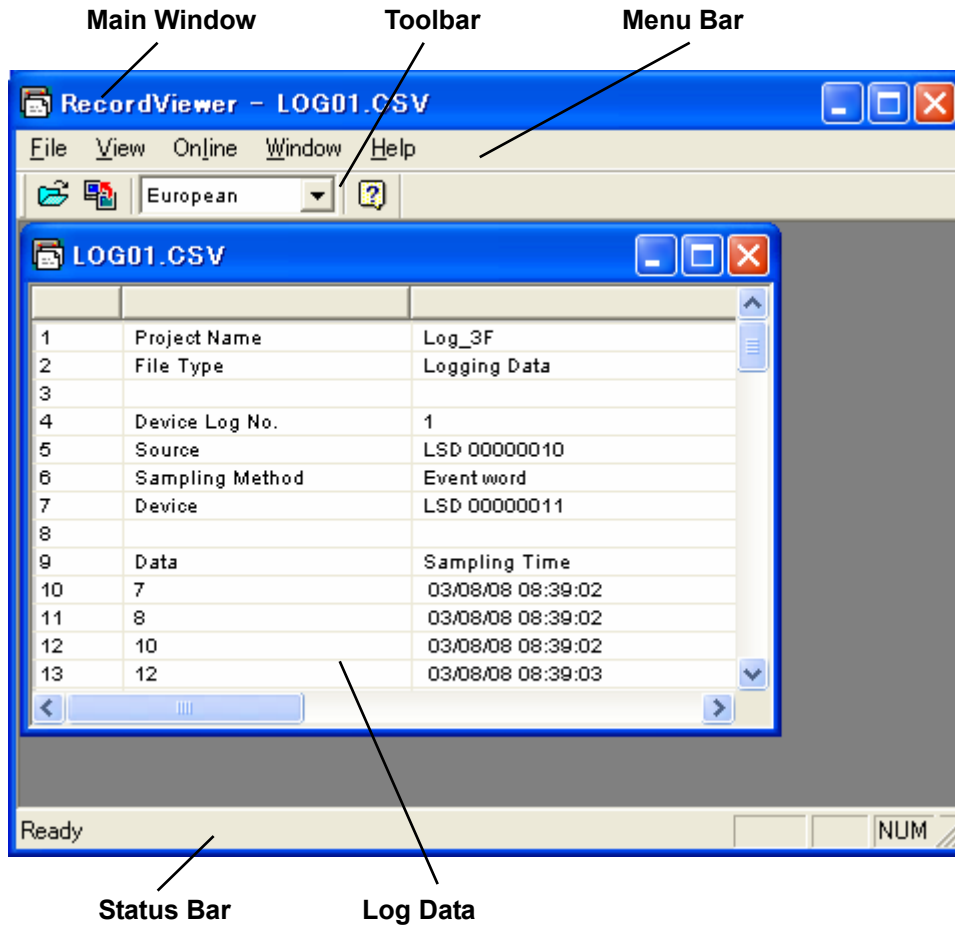
Note: 2048 or more lines of log data can be edited and saved onto a CSV file, however, Record Viewer can only display up to 2048 lines of log data. When more data need to be displayed, use an application such as Notepad which can display CSV files.

- *Maximum log data files that can be opened at the same time*

A maximum of 21 log data files can be displayed on Record Viewer at the same time.

5 Page Configuration

The page configuration of Record Viewer is shown below.



Main Window	Record Viewer work area
Log Data Display Window	Shows log data
Menu Bar	Selection menus
Toolbar	Selects Open, Upload, Select Language, and Opens manual
Status Bar	Displays the status of selected menu

6 Operation

Operation methods of Record Viewer are described below.

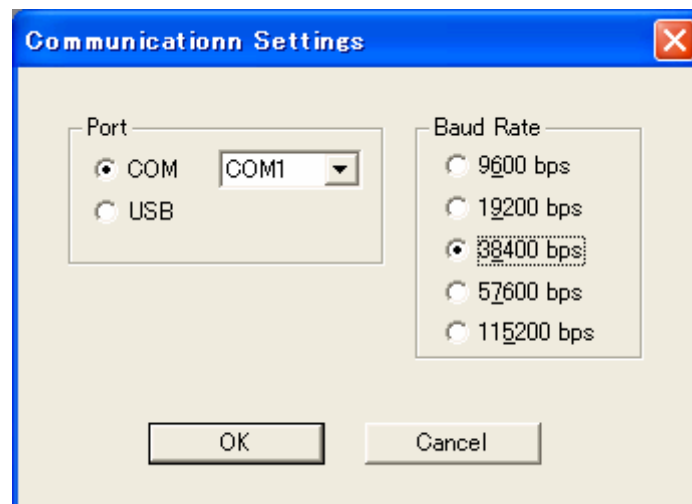
6-1 Starting Record Viewer

To start Record Viewer, select WindOI-NV2 program group from the start menu, and click **Record Viewer**.

6-2 Baud Rate Setting


To set the baud rate to upload the log data from the operator interface to the computer, follow the instructions below.

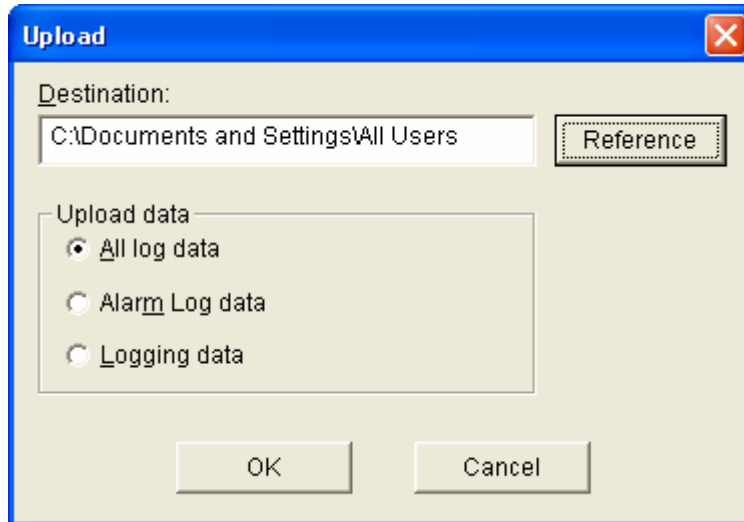
- 1 From the menu bar, select **Online** → **Communication Settings**.
- 2 Select the **Baud Rate** and **Port**, and click **OK**.



6-3 Uploading Log Data

To upload log data from the operator interface to the computer, follow the instructions below.

- 1 Click **Online** → **Upload**, or click the **Upload** icon  on the toolbar.
- 2 Type the destination folder path or select the path using **Reference**.



- 3 Select the data type for uploading and click **OK**.
 - 4 Uploading starts, and the progress is shown.
 - 5 When uploading is completed, click **Close**.
- ▶ When a password has been set in the operator interface project, a dialog box appears requiring the password. Select a user name, and enter the password.

Note: The file name of log data cannot be used for uploading. For details, see "Formats of Log Data."

6-4 Selecting Language

To change the language of active log data which is either opened or to be opened, take one of the measures described below. Japanese, European, Chinese, Taiwanese, and Korean can be selected.

- Select **View** → **Select Language**, and click the required language.
- Or, select the required language from the pull-down list on the toolbar.




- ▶ Language cannot be changed on the log data which are already opened and inactive. Only the alarm log data uploaded from runtime Ver. 1.4x can change language.
- ▶ Language changes only the message of alarm log data.

Note: When the necessary font is not installed on the computer, the characters cannot be displayed correctly.

6-5 Opening Log Data

To open the existing data, follow the instructions below.

- 1 Select **File** → **Open** on the menu bar, or click the **Open** icon  on the toolbar.
- 2 Select the files on the Open dialog box. One or more files can be selected at the same time.
- 3 Click **Open**.

6-6 Initializing Log Data

To initialize log data in the operator interface, follow the instructions below.

- 1 Select **Online** → **Initialize** on the menu bar.
 - 2 A confirmation dialog box appears. Click **OK**.
 - 3 Initializing starts, and progress status will be shown.
 - 4 When initializing is completed, click **Close**.
- ▶ When a password has been set in the operator interface project, a dialog box appears requiring the password. Select a user name, and enter the password.

6-7 Viewing Manual

To view the Record Viewer manual, follow the instructions below.

- 1 Select **Help** → **Help** on the menu bar.
- 2 A PDF manual file opens.

6-8 Viewing Version

To view the version of Record Viewer, follow the instructions below.

- 1 Select **Help** → **About** on the menu bar.
- 2 **About Record Viewer** dialog box appears.

7 Formats of Log Data

The uploaded data from the operator interface are saved as CSV files in the specified folder of the computer. The format of log data is as follows.

7-1 Alarm Log Data

File name of Alarm Log Data is **ALMHT.CSV**. File format is as follows.

<When Alarm log data uploads from runtime Ver.1.4x>

Row	1st column	2nd column	3rd column	4th column	5th column
0	Project Name	Project Name (1)			
1	File Type	Alarm Log Data			
2					
3	Ch. No.	Message	Occurrence Time	Recovery Time	Confirmation Time
4 or more	Ch. No. (2)	Message (2)	Occurrence Time (2)	Recovery Time (2)	Confirmation Time (2)

(1) The project name downloaded to the operator interface is shown.

(2) The information of Alarm Log Data is shown.

<Data Example>

```
"Project Name","Sample Project",  
"File Type","Alarm Log Data",  
  
"Ch. No.,""Message","Occurrence Time","Recovery Time","Confirmation Time",  
" 1-0","Message1-0"," 03/08/05 17:03"," 08/05 17:03","08/05 17:03",  
" 2-7","Message2-7"," 03/08/05 17:03"," 08/05 17:03","08/05 17:03",  
:  
:
```

Note: Each data must be bundled with the double quotation mark ("). If not bundled with a double quotation mark, it becomes impossible to display normally by Record Viewer.

<When Alarm log data uploads from runtime Ver.1.5x and Ver.1.6x Versions>

Row	1st column	2nd column	3rd column	4th column	5th column	6th column
0	Project Name	Project Name (1)	Runtime Version			
1	File Type	Alarm Log Data				
2						
3	Ch. No.	Message	Occurrence Time	Recovery Time	Confirmation Time	Font Name
4 or more	Ch. No. (2)	Message (2)	Occurrence Time (2)	Recovery Time (2)	Confirmation Time (2)	Font Name (2)

(1) The project name downloaded to the operator interface is shown.

(2) The information of Alarm Log Data is shown.

<Data Example>

```
"Project Name","Sample Project","V1.5xxx"
"File Type","Alarm Log Data"

"Ch. No. ","Message","Occurrence Time","Recovery Time","Confirmation Time","Font Name"
" 1-0","Message1-0"," 03/08/05 17:03"," 08/05 17:03","08/05 17:03","Japanese"
" 2-7","Message2-7"," 03/08/05 17:03"," 08/05 17:03","08/05 17:03","Chinese"
      ⋮
      ⋮
```

Note: Each data must be bundled with the double quotation mark ("). If not bundled with a double quotation mark, it becomes impossible to display normally by Record Viewer.

Note: When the Font Name of 6th column is data for displaying a message in the corresponding language.

Note: The 1st line is displayed when messages is two or more lines.

<When Alarm log data uploads from runtime Ver.1.7x or more Versions>

Row	1st column	2nd column	3rd column	4th column	5th column	6th column
0	Project Name	Project Name (1)	Runtime Version	Project Language		
1	File Type	Alarm Log Data				
2						
3	Ch. No.	Message	Occurrence Time	Recovery Time	Confirmation Time	Font Name
4 or more	Ch. No. (2)	Message (2)	Occurrence Time (2)	Recovery Time (2)	Confirmation Time (2)	Font Name (2)

(1) The project name downloaded to the operator interface is shown.

(2) The information of Alarm Log Data is shown.

<Data Example>

```
"Project Name","Sample Project","V1.7xxx","European"
"File Type","Alarm Log Data"

"Ch. No. ","Message","Occurrence Time","Recovery Time","Confirmation Time","Font Name"
" 1-0","Message1-0"," 03/08/05 17:03"," 08/05 17:03","08/05 17:03","Japanese"
" 2-7","Message2-7"," 03/08/05 17:03"," 08/05 17:03","08/05 17:03","Chinese"
      ⋮
      ⋮
```

Note: Each data must be bundled with the double quotation mark ("). If not bundled with a double quotation mark, it becomes impossible to display normally by Record Viewer.

Note: When the Font Name of 6th column is data for displaying a message in the corresponding language.

Note: The 1st line is displayed when messages is two or more lines.

7-2 Logging Data

File name is **LOG##.CSV**. A data number 01 to 20 is shown in place of **##**. File format is as follows.

<When Alarm log data uploads from runtime Ver.1.4x and Ver.1.6x Versions>

Row	1st column	2nd column
0	Project Name	Project Name (1)
1	File Type	Logging Data
2		
3	Device Log No.	Device Log No. (2)
4	Source	Source (3)
5	Sampling Method	Sampling Method (4)
6	Device	Device (5)
	Time (sec.)	Time (sec.) (6)
7		
8	Data	Sampling Time
9 or more	Data (7)	Sampling Time (7)

- (1) The project name downloaded to the operator interface is shown.
- (2) The device log no. specified in "logging setting" is shown.
- (3) The source specified in "logging setting" is shown.
- (4) Sampling method set in "logging setting" is shown.
- (5) When sampling method is set to Event Bit or Event Word, the device specified in logging setting is shown.
- (6) When sampling method is set to Fixed Period, the time (sec.) set in logging setting is shown.
- (7) Logging data information saved in the operator interface is shown.

<Data Example>

```
"Project Name","Sample Project",
"File Type", "Logging Data",

" Device Log No.,"1",
"Source","LSD 00000010",
"Sampling Method","Event Word",
"Device","LSD 00000011",

"Data","Sampling Time",
495," 03/08/08 08:37:04",
1033," 03/08/08 08:37:05",
:
:
:
```

Note: Each data must be bundled with the double quotation mark ("). If not bundled with a double quotation mark, it becomes impossible to display normally by Record Viewer.

<When Alarm log data uploads from runtime Ver.1.7x Versions>

Row	1st column	2nd column	3rd column	4th column
0	Project Name	Project Name (1)	Runtime Version	Project Language
1	File Type	Logging Data		
2				
3	Device Log No.	Device Log No. (2)		
4	Source	Source (3)		
5	Sampling Method	Sampling Method (4)		
6	Device	Device (5)		
	Time (sec.)	Time (sec.) (6)		
7				
8	Data	Sampling Time		
9 or more	Data (7)	Sampling Time (7)		

- (1) The project name downloaded to the operator interface is shown.
- (2) The device log no. specified in "logging setting" is shown.
- (3) The source specified in "logging setting" is shown.
- (4) Sampling method set in "logging setting" is shown.
- (5) When sampling method is set to Event Bit or Event Word, the device specified in logging setting is shown.
- (6) When sampling method is set to Fixed Period, the time (sec.) set in logging setting is shown.
- (7) Logging data information saved in the operator interface is shown.

<Data Example>

```

"Project Name","Sample Project",
"File Type","Logging Data",

" Device Log No.,""1",
"Source","LSD 00000010",
"Sampling Method","Event Word",
"Device","LSD 00000011",

"Data","Sampling Time",
495," 03/08/08 08:37:04",
1033," 03/08/08 08:37:05",
:
:
:

```

Note: Each data must be bundled with the double quotation mark ("). If not bundled with a double quotation mark, it becomes impossible to display normally by Record Viewer.

<When Alarm log data uploads from runtime Ver.1.8x or more Versions>

Row	1st column	2nd column	3rd column	4th column
0	Project Name	Project Name (1)	Runtime Version	Project Language
1	File Type	Logging Data		
2				
3	Logging No.	Logging No. (2)		
4	Source	Source (3)		
5	Sampling Method	Sampling Method (4)		
6	Device	Device (5)		
	Time (sec.)	Time (sec.) (6)		
7	Title Font	Title Font (7)		
8				
9	Data	Sampling Time		
10 or more	Data (8)	Sampling Time (8)		

- (1) The project name downloaded to the operator interface is shown.
- (2) The device log no. specified in "logging setting" is shown.
- (3) The source specified in "logging setting" is shown.
- (4) Sampling method set in "logging setting" is shown.
- (5) When sampling method is set to Event Bit or Event Word, the device specified in logging setting is shown.
- (6) When sampling method is set to Fixed Period, the time (sec.) set in logging setting is shown.
- (7) The specified title font is displayed. The data title of the 9th line is displayed in this language.
- (8) The value of each specified channel is displayed.

<Data Example>

```
"Project Name","Sample Project",
"File Type","Logging Data",

" Logging No.,"1",
"Source","LSD 00000010",
"Sampling Method", "Event Word",
"Device","LSD 00000011",
"Title Font","European"

"Sampling Time","Data1","Data2",...,"Data128",
" 03/08/08 08:37:04",495,505,...,1045,
" 03/08/08 08:37:05",1033,1068,...,5043,
      :
      :
      :
```

Note: Each data must be bundled with the double quotation mark ("). If not bundled with a double quotation mark, it becomes impossible to display normally by Record Viewer.