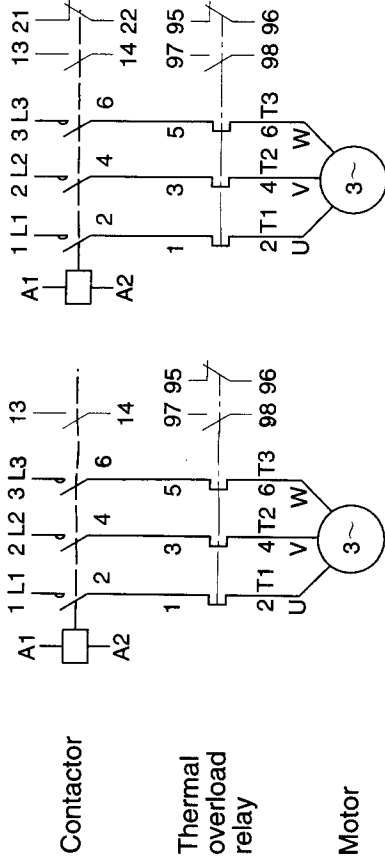


# HANDLING MANUAL

THERMAL OVERLOAD RELAY

Manual No. FA419577

## WIRING DIAGRAM



WIRING MIN ~ MAX

Thermal Overload Relay

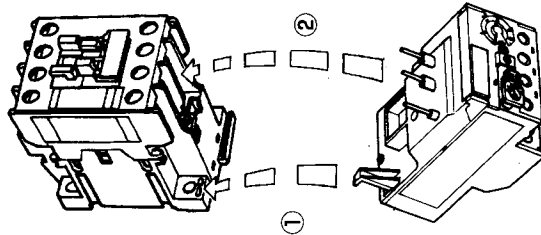
[mm <sup>2</sup> ]	[mm <sup>2</sup> ]	[mm <sup>2</sup> ]	[mm <sup>2</sup> ]	[mm]	C (Tightening Torque)	
					C [N · m]	L [mm]
1 to 4 (AWG 16 to 12)	1 to 4 (AWG 16 to 12)	1 to 4 (AWG 16 to 12)	1 to 4 (AWG 16 to 12)	8	1.2	8
1.5 to 10 (AWG 16 to 8)	1.5 to 6 (AWG 16 to 10)	1.5 to 6 (AWG 16 to 10)	1.5 to 6 (AWG 16 to 10)	9	2.5	9.4
						3.5

Contact Circuit

Main Circuit

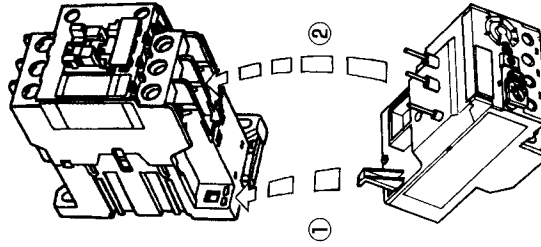
MOUNTING Direct mounting to the underside of contactors.

YS1N-9F/YS1N-12F



YS1T-RHA25F

YS1N-20F/YS1N-25F



YS1T-RHA25F

